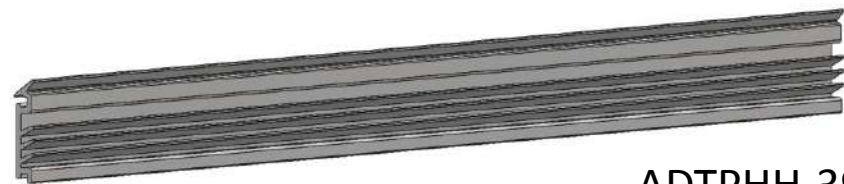


5



AL 10016



ADTPHH-3900



ADTP-3878 SW



S11183



S11181



S11182



* excl.

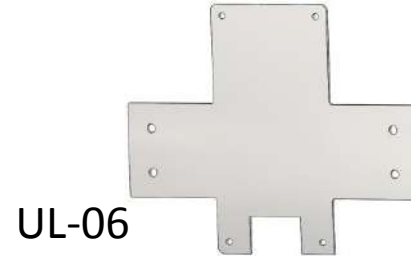
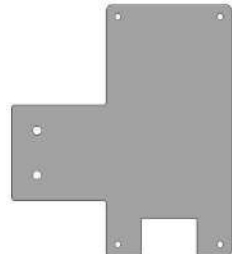


M14 x 100

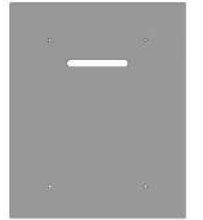
* excl.



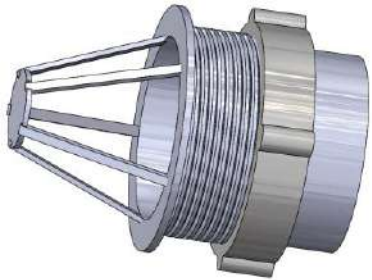
UL-04



UL-06



UL-02



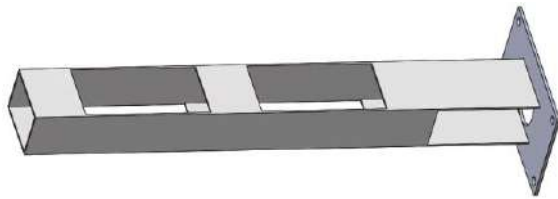
83 mm



0300 BI 6,3 x 25



0303 BI 5,5 x 25



STL-06

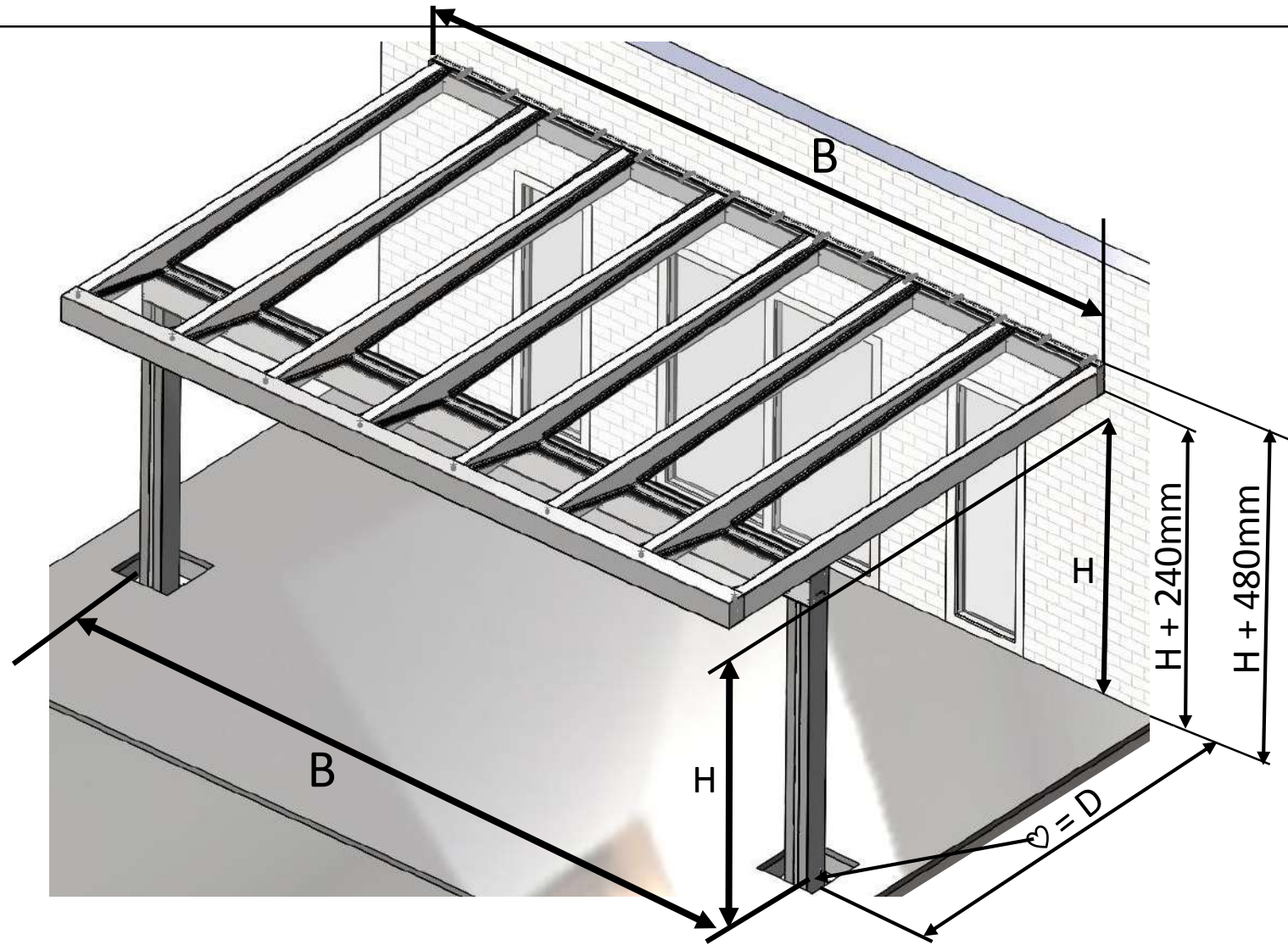


0385 SA 5,5 x 32

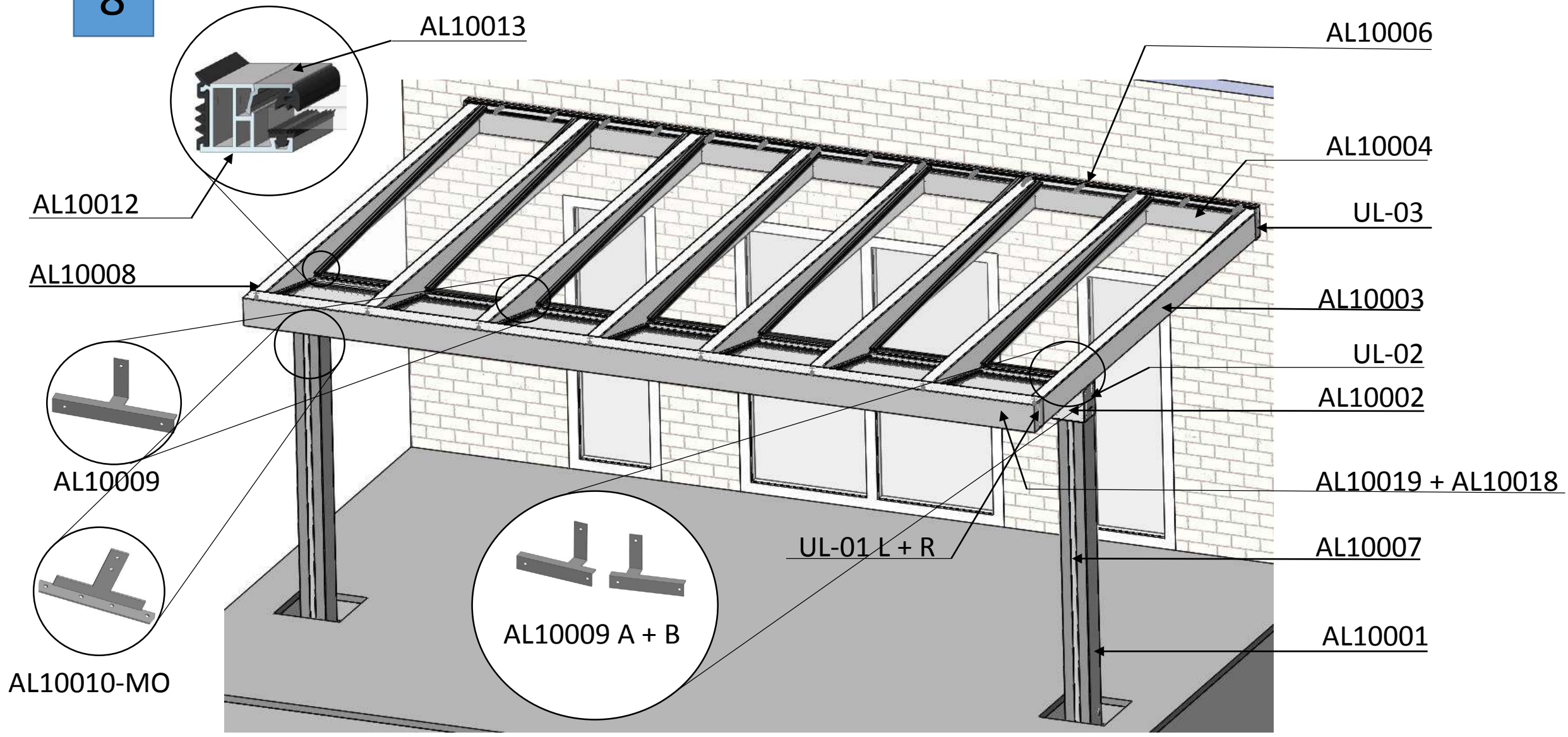


0390 SA 4,2 x 32

7

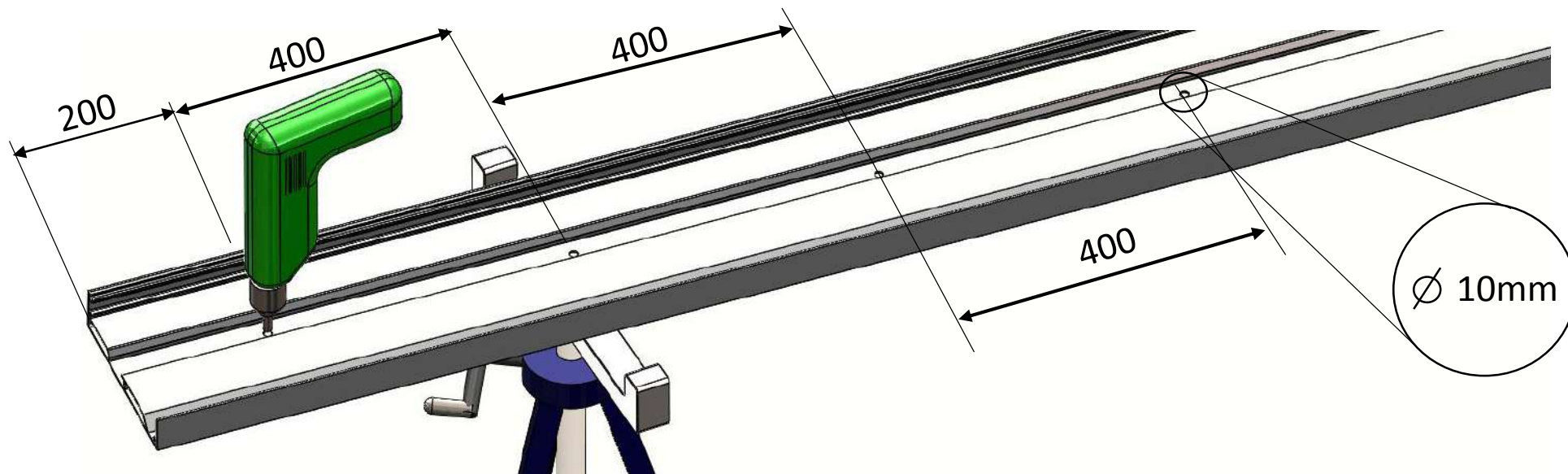
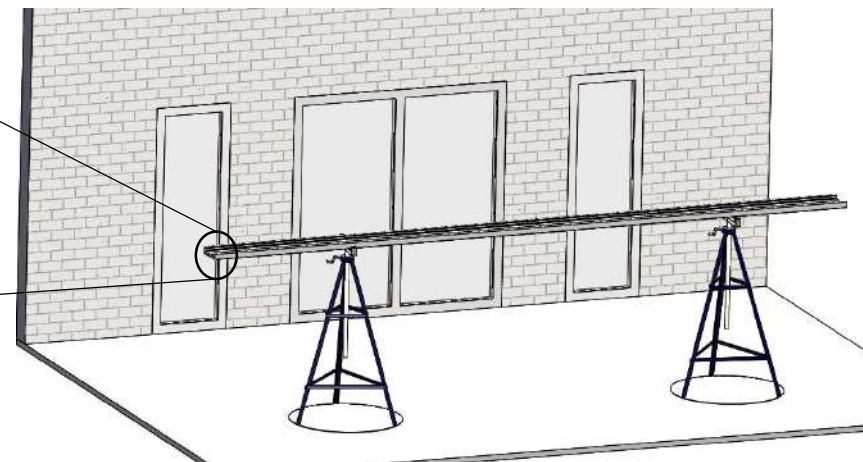
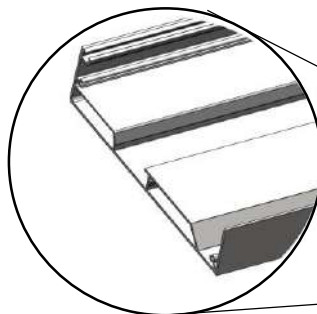
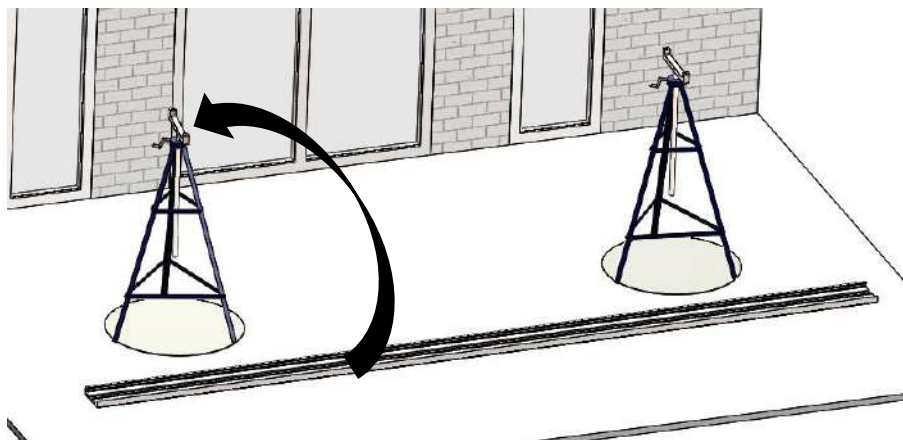
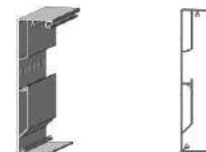


8



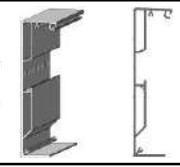
9

1 x 10006



10

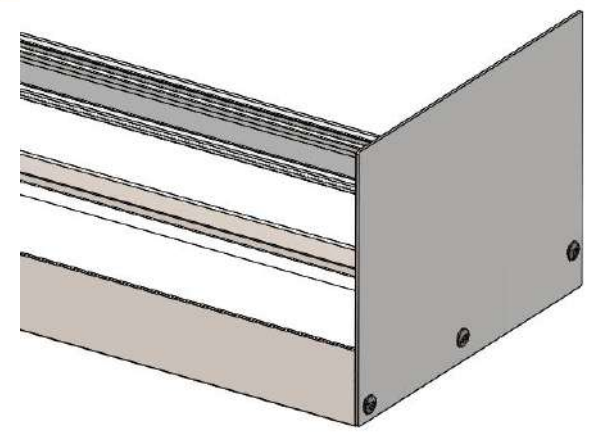
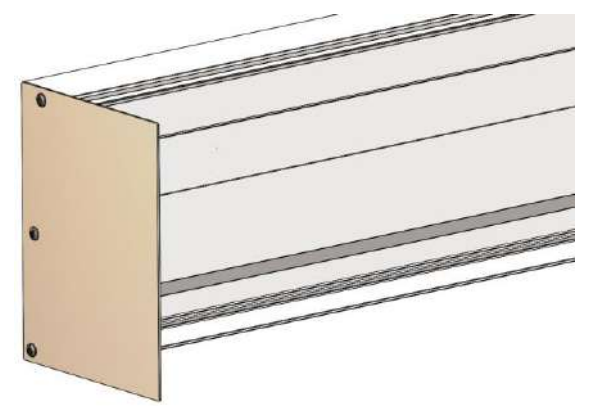
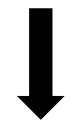
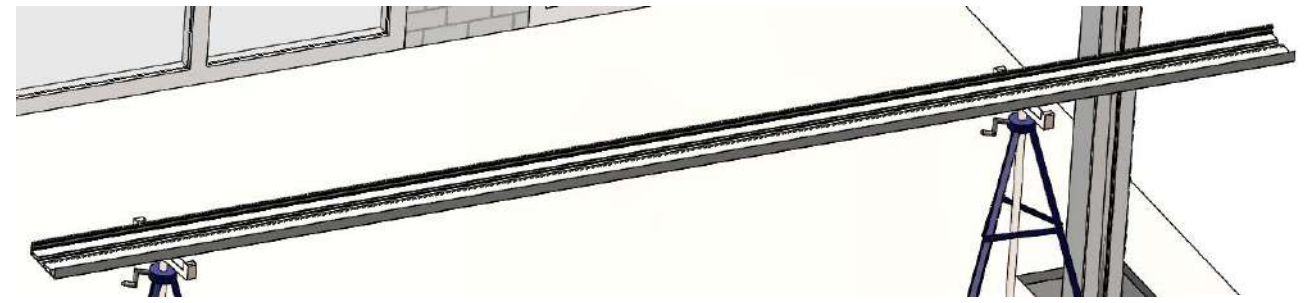
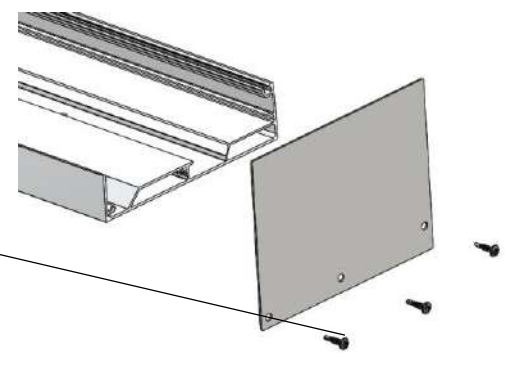
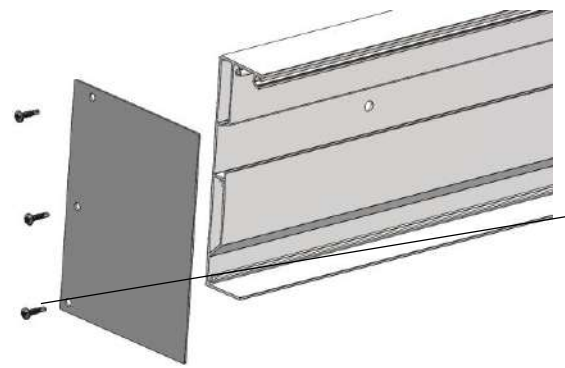
1 x 10006



2 x UL-03

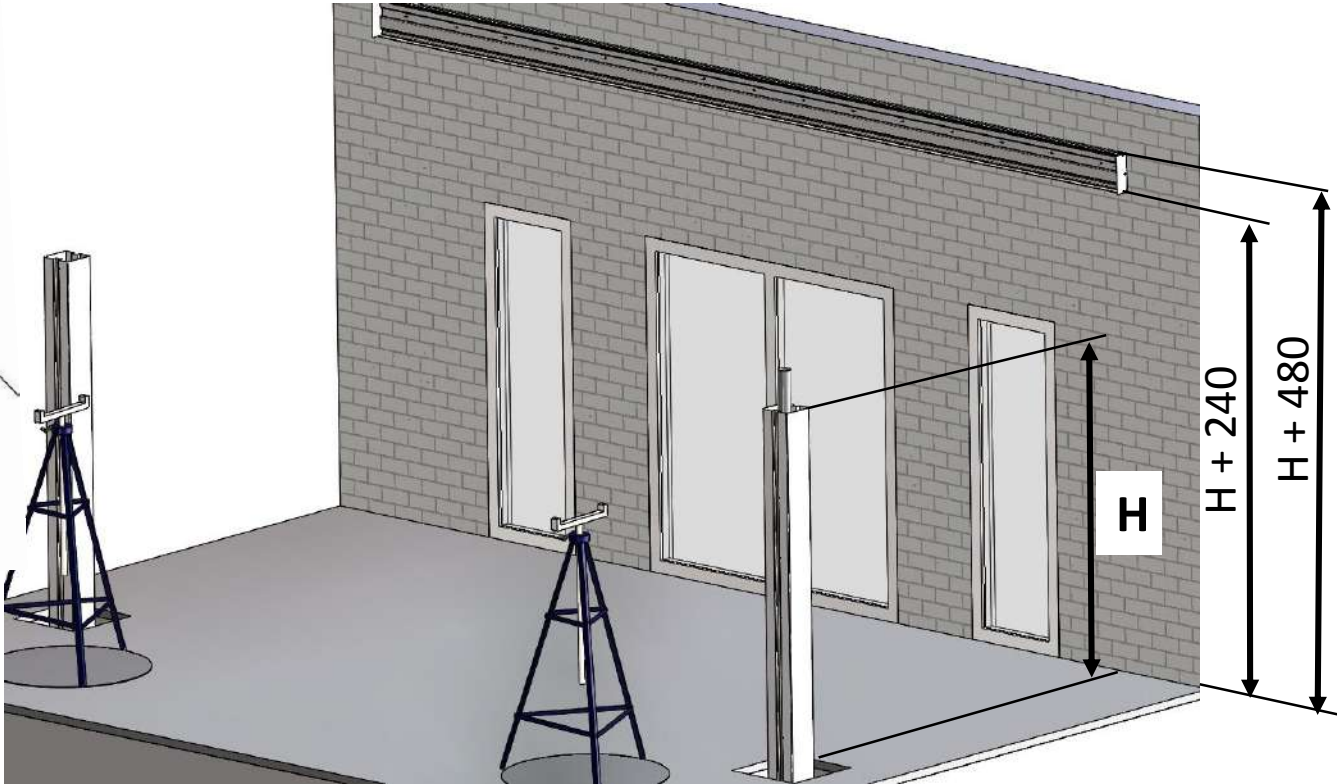
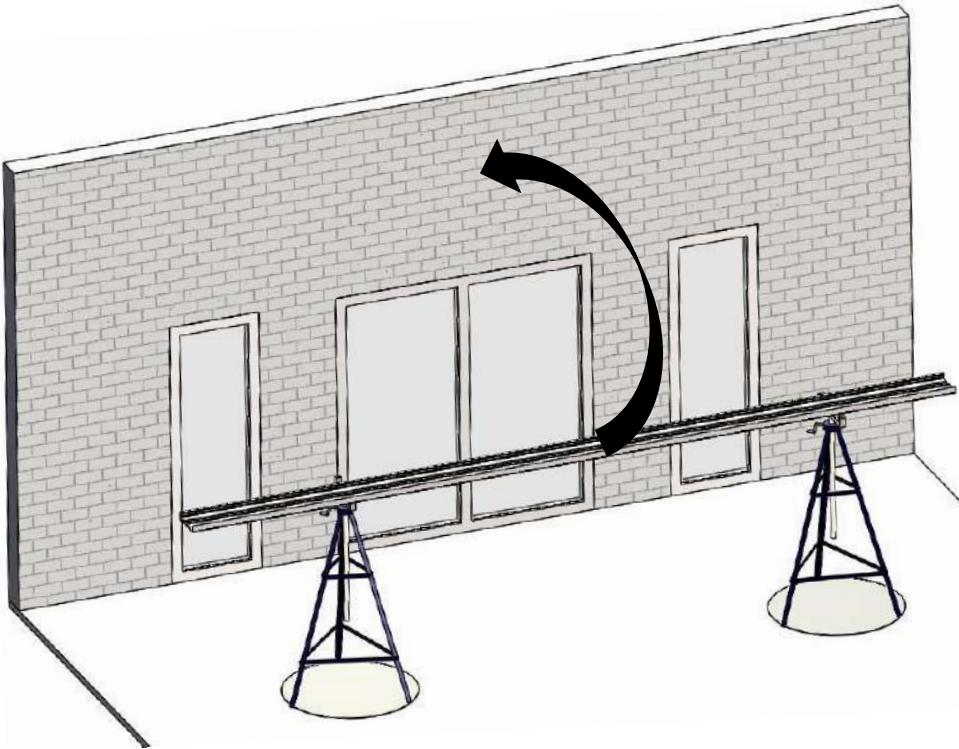


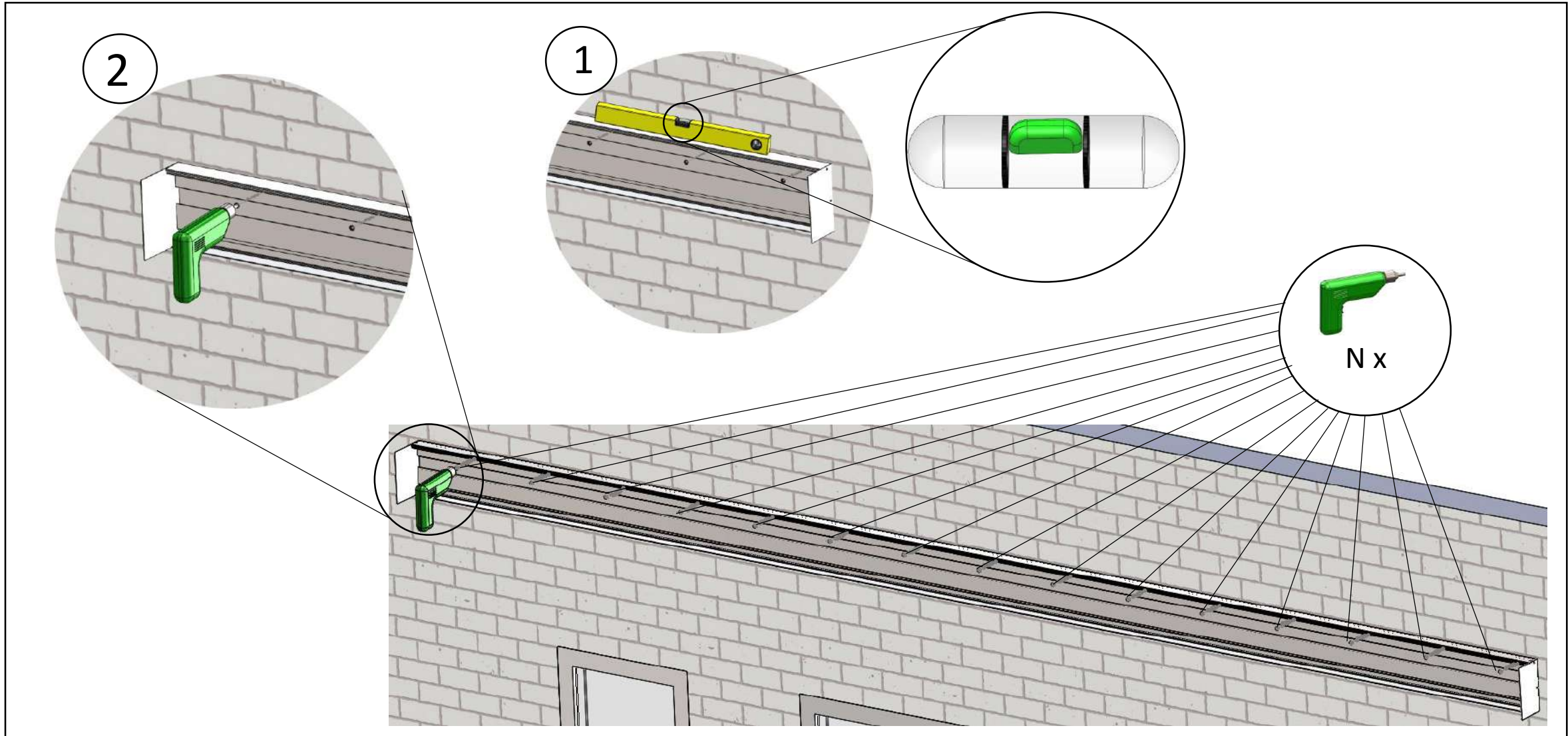
6 x 0390 SA 4,2 x 32



11

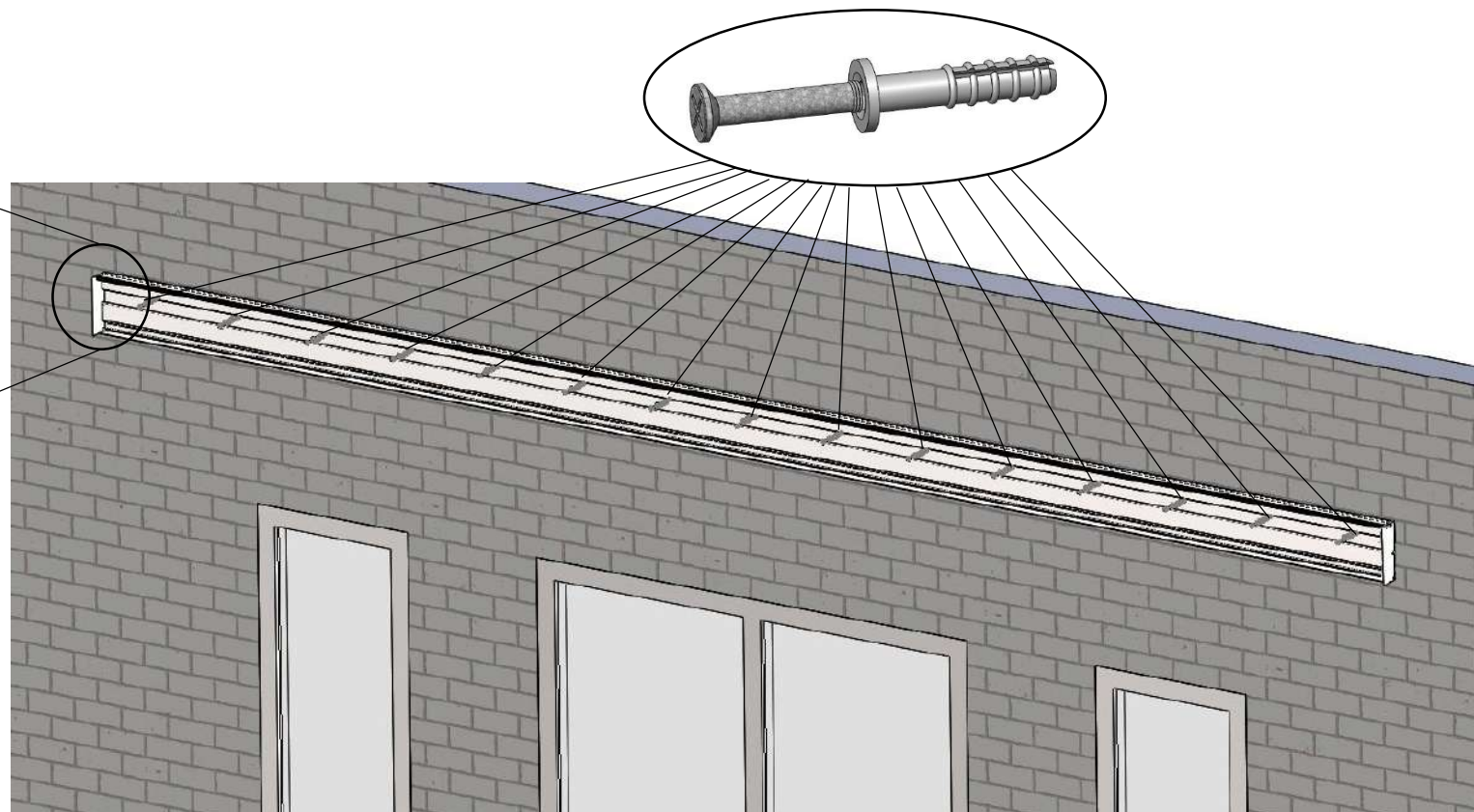
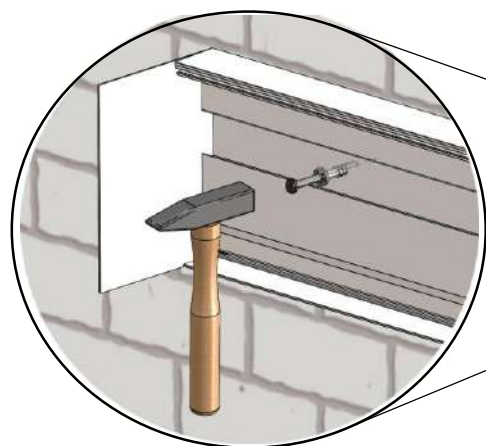
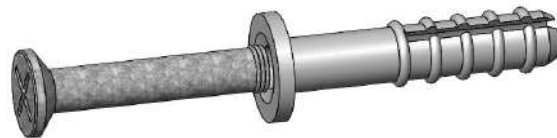
1 x 10006



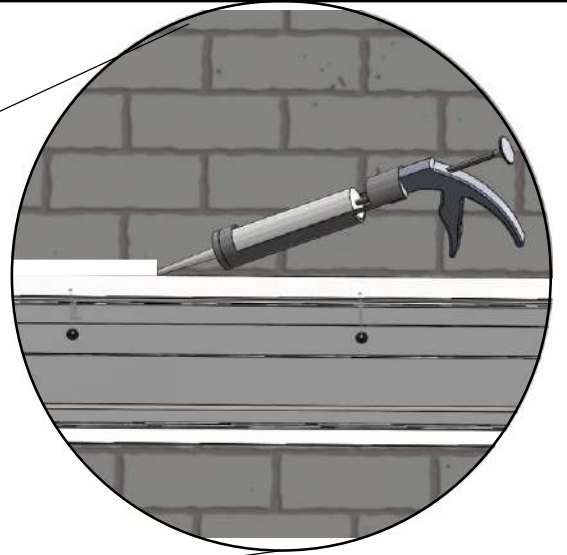
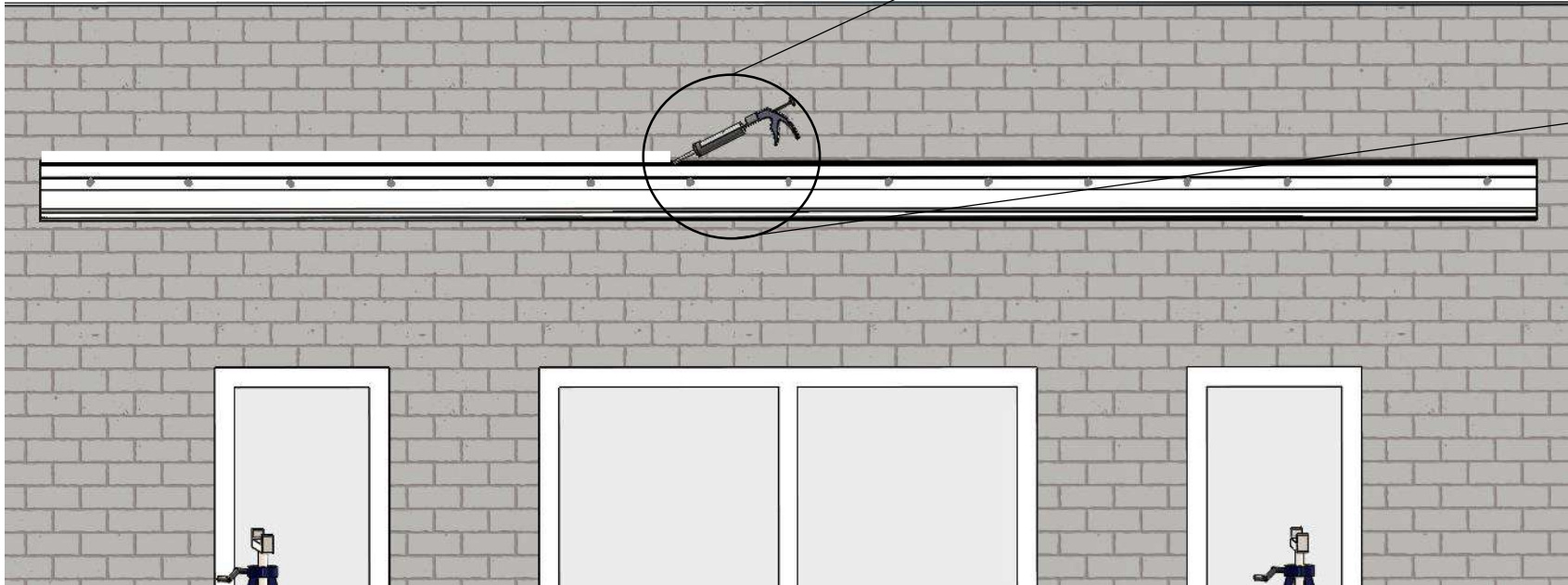


13

N x

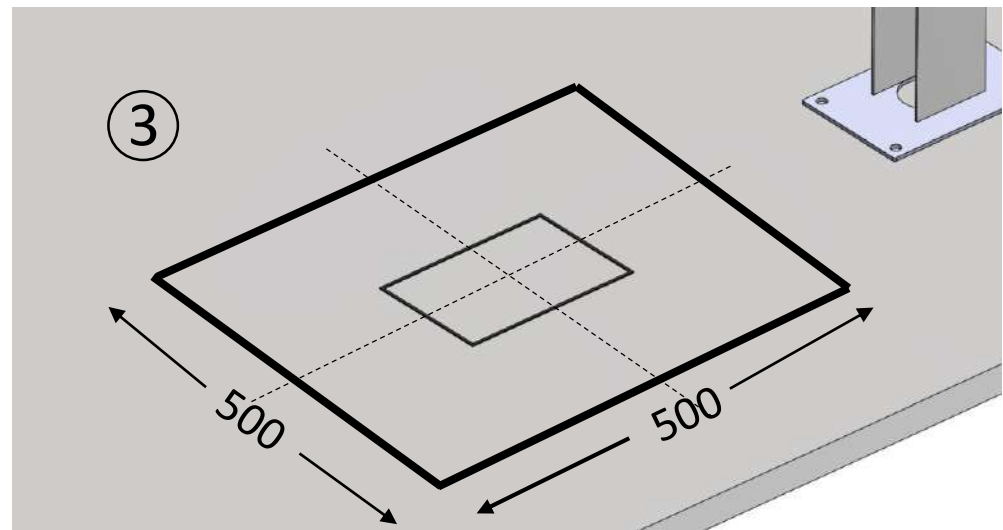
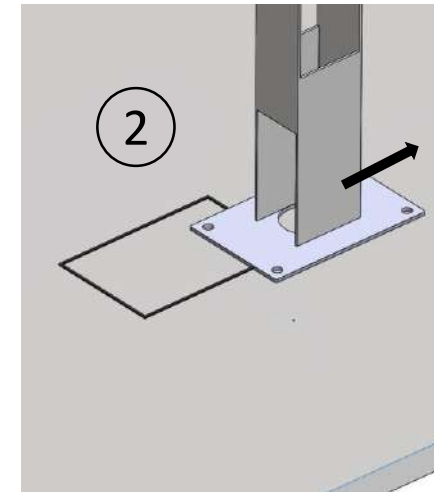
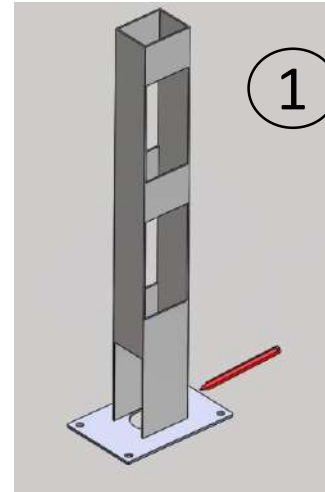
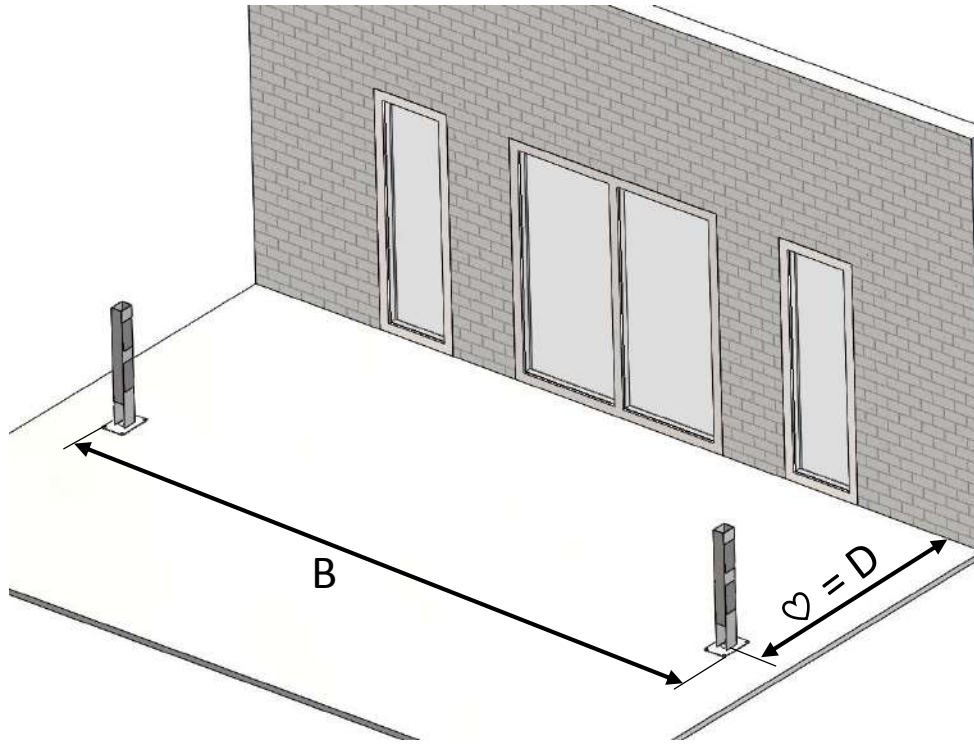
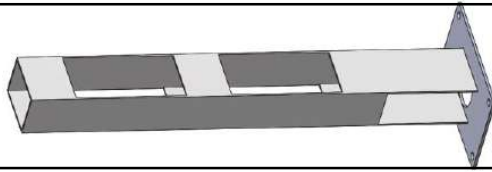


14



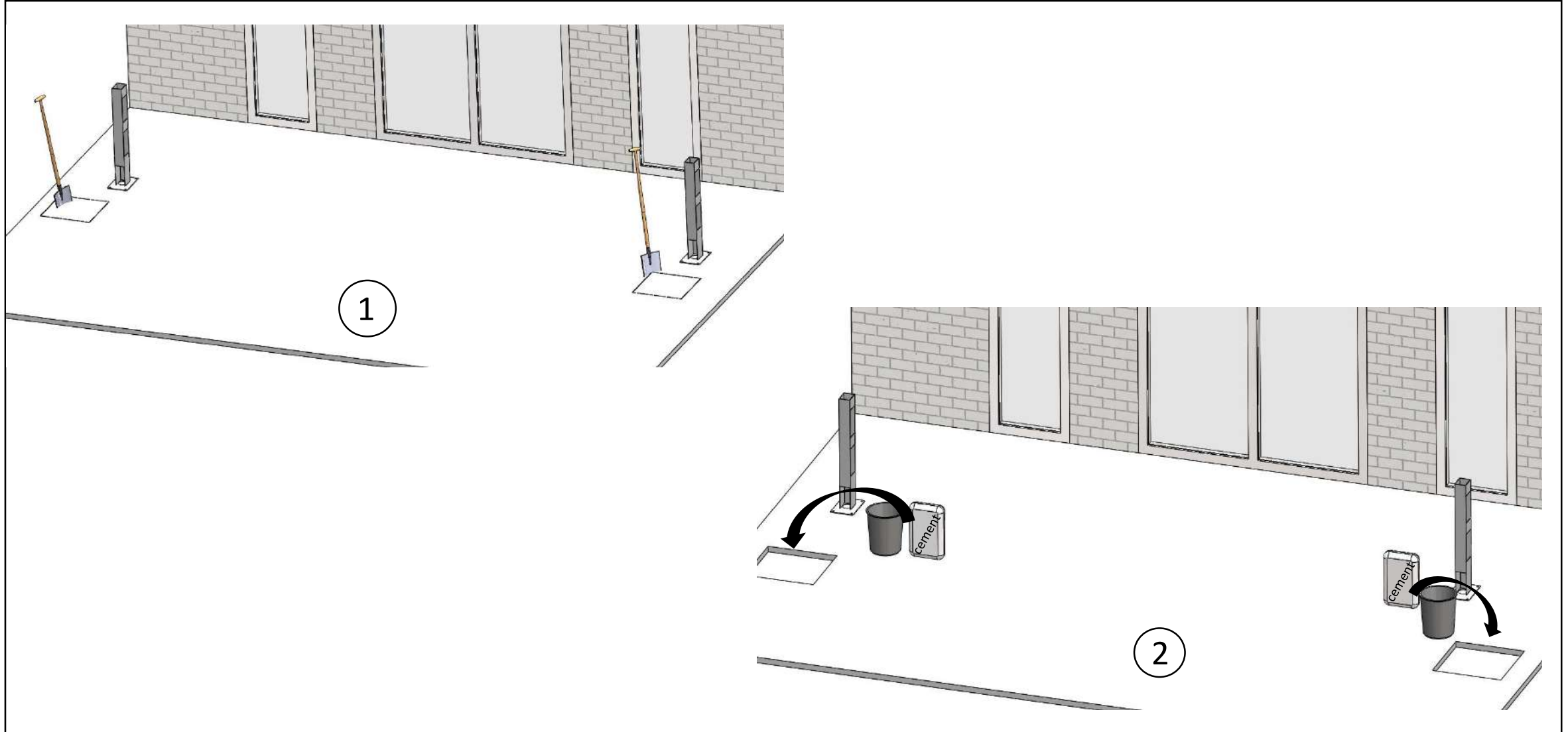
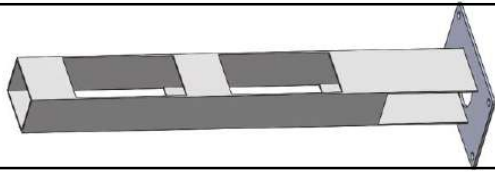
15

2 x



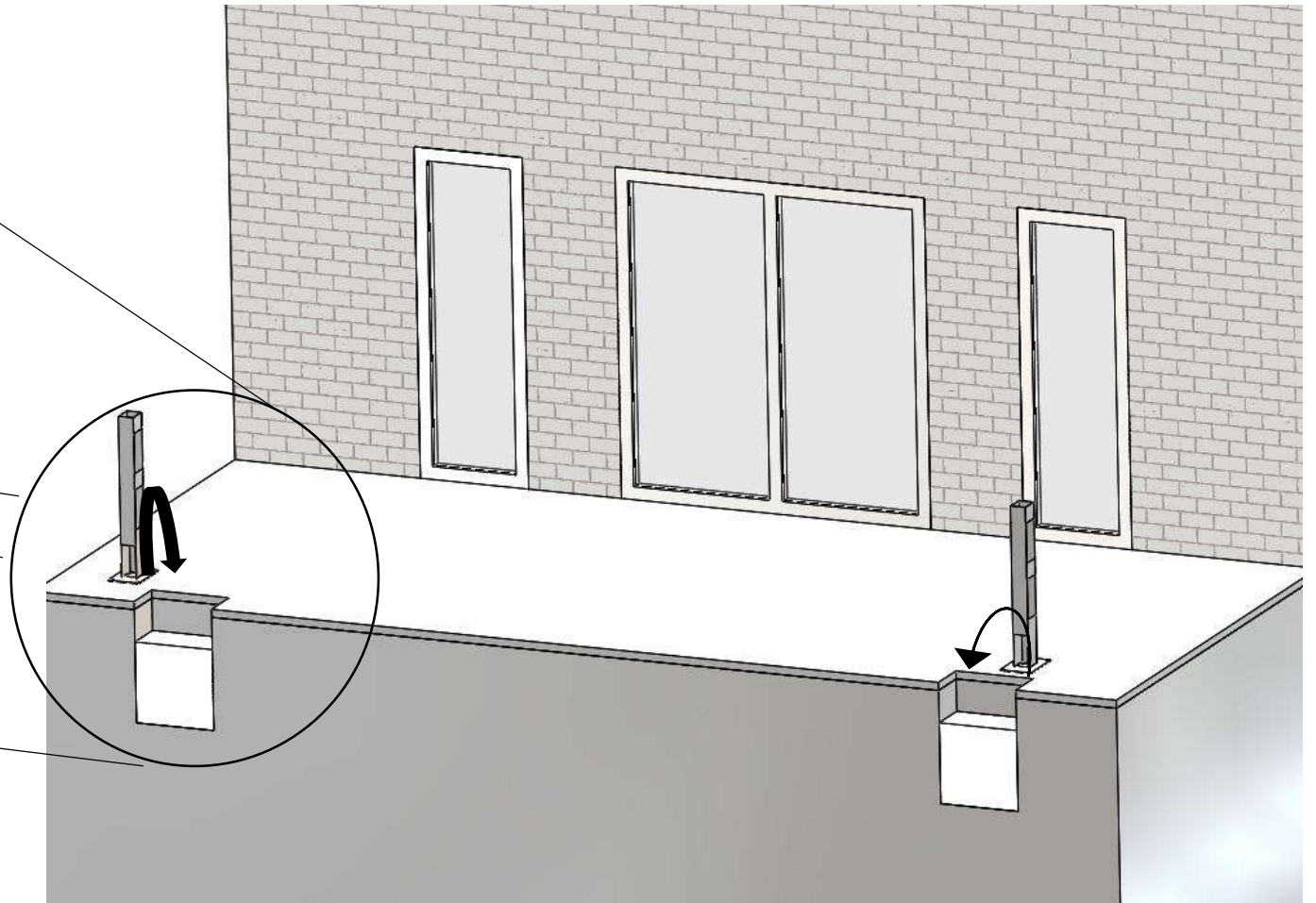
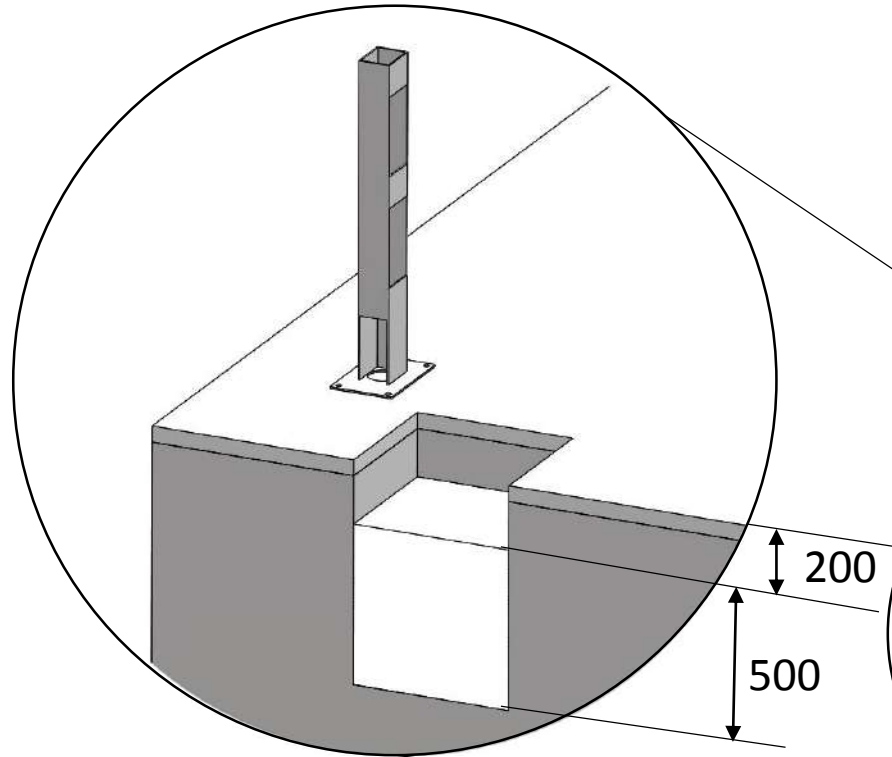
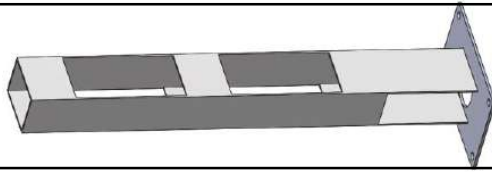
16

2 x



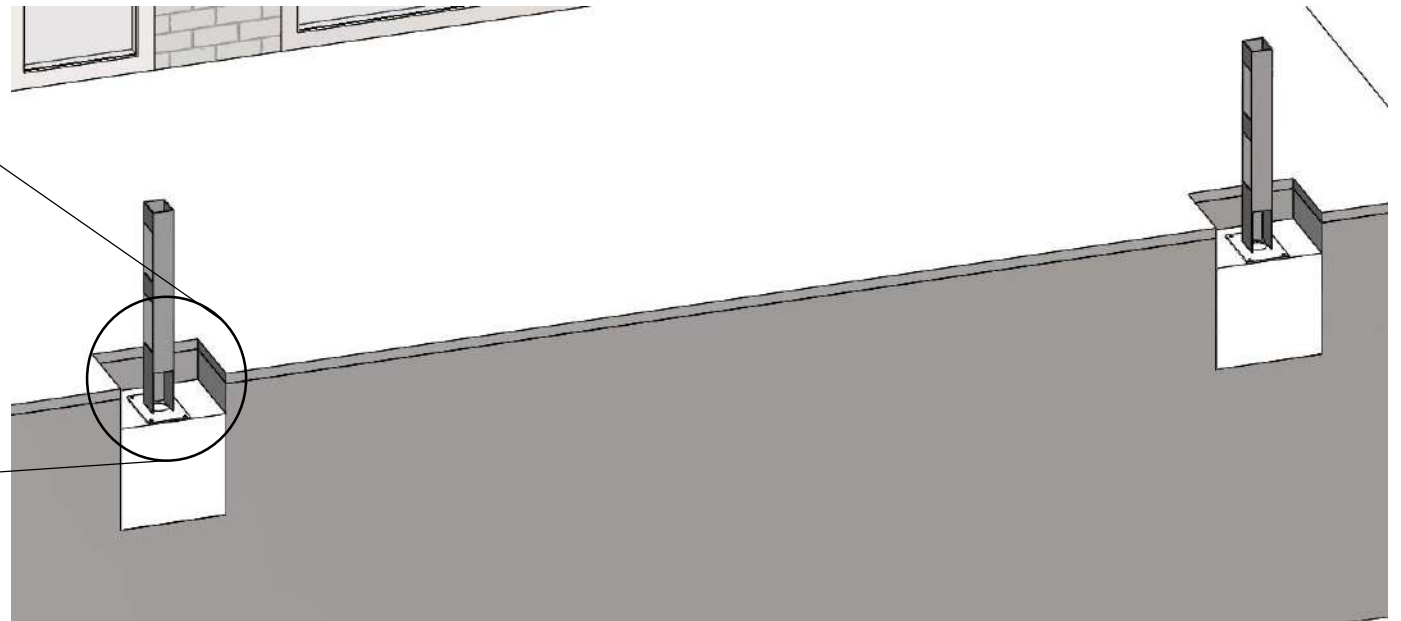
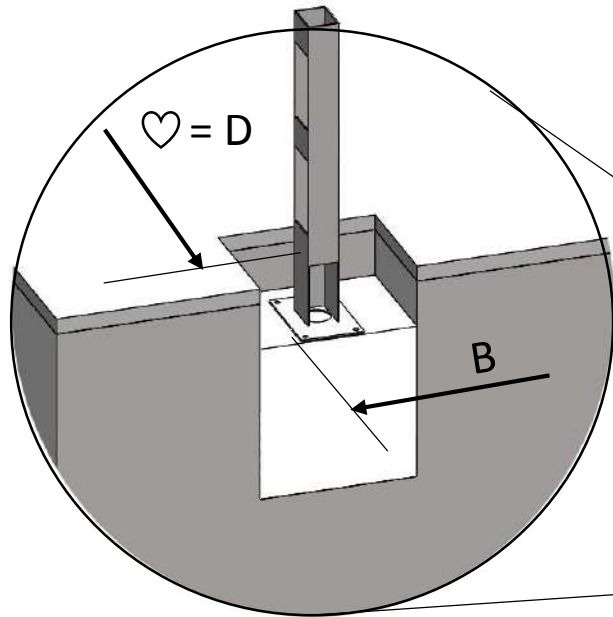
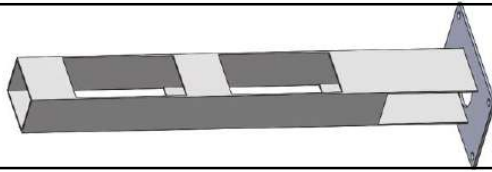
17

2 x



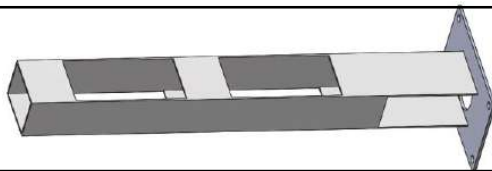
18

2 x

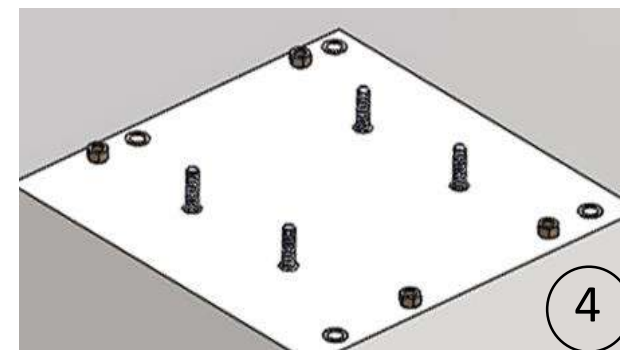
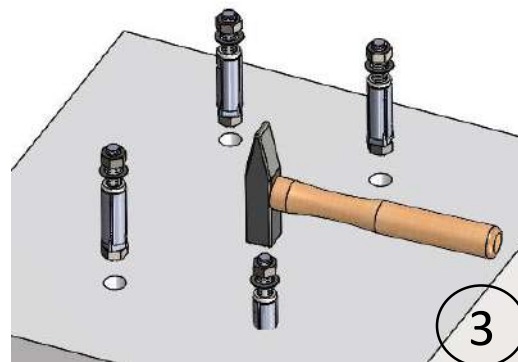
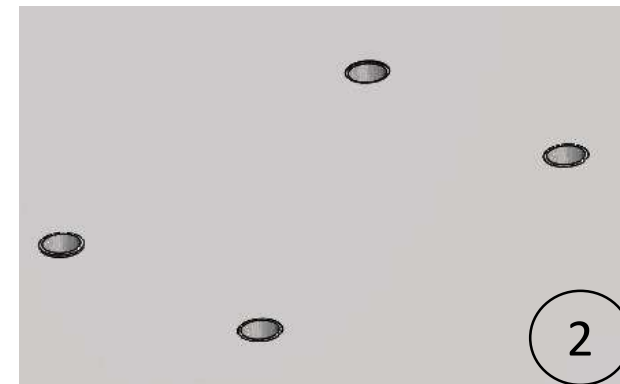
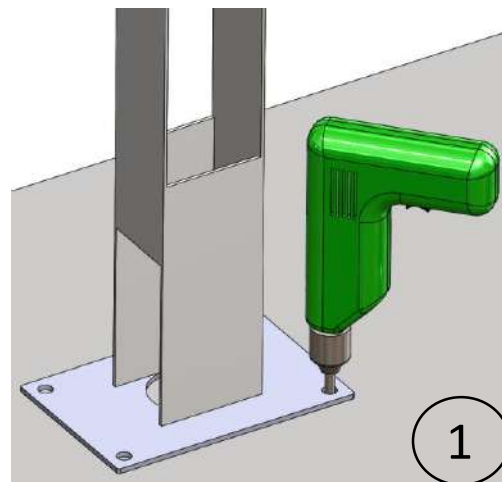
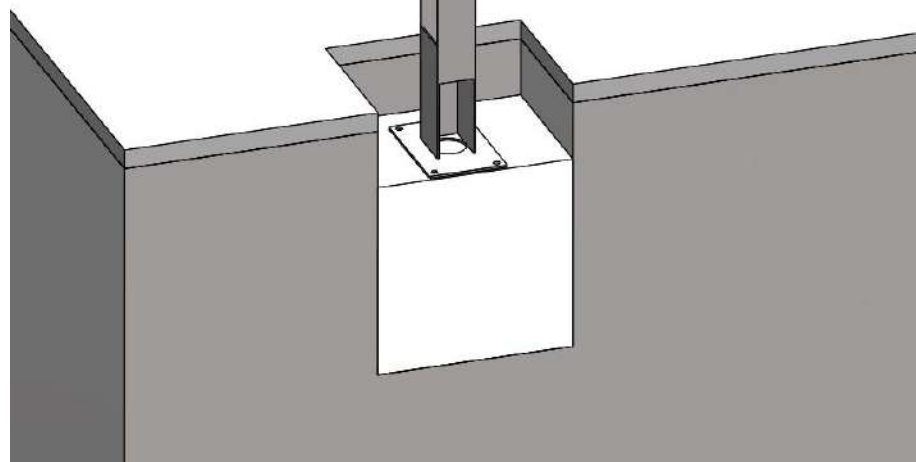


19

2 x

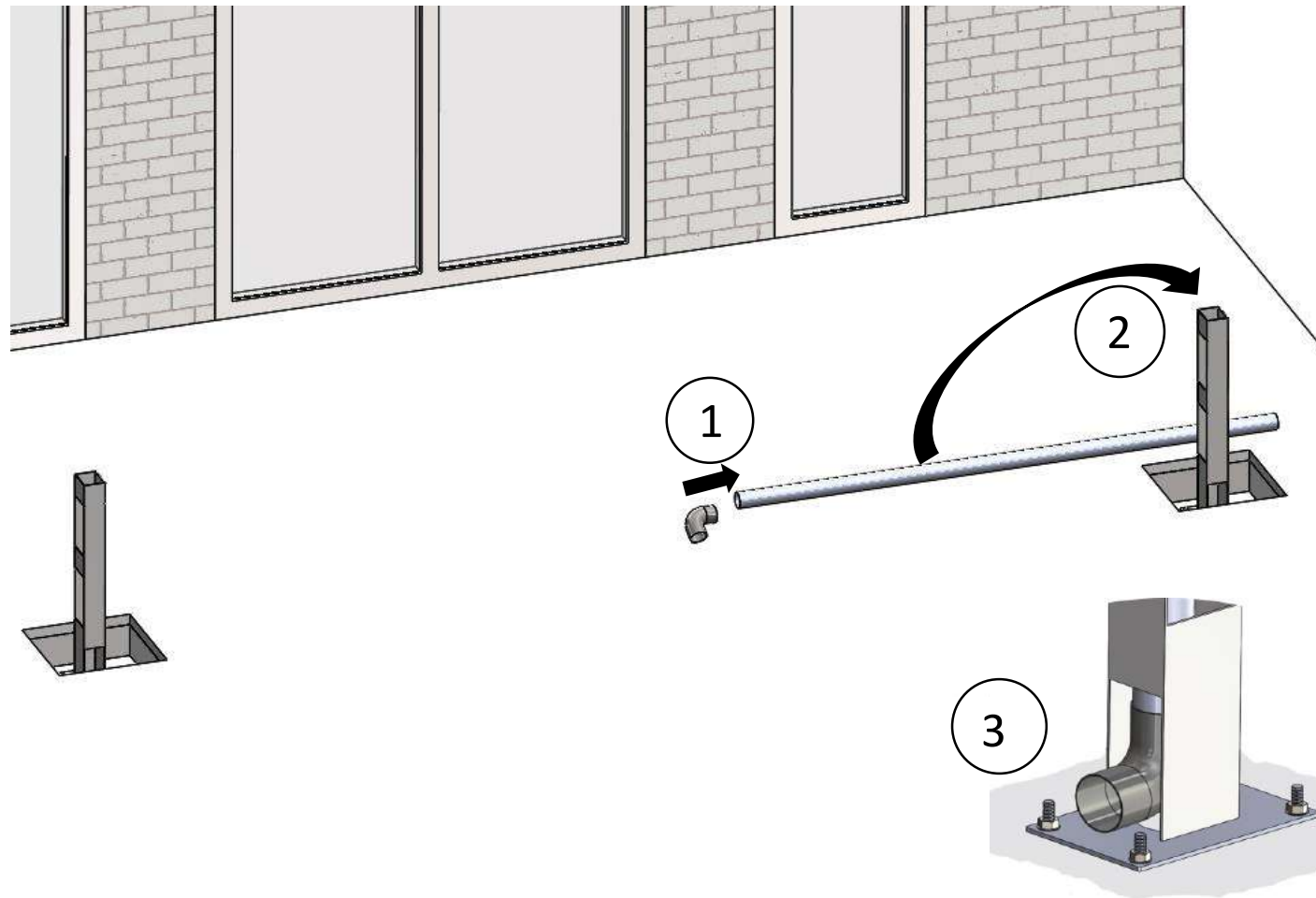
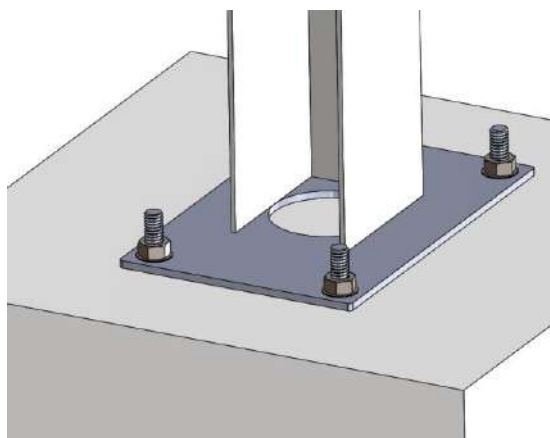
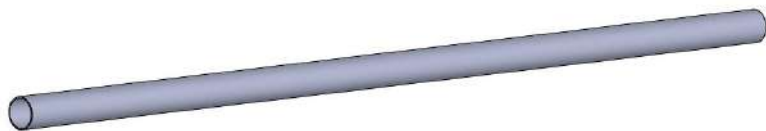


8 x



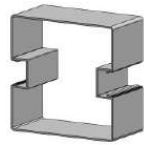
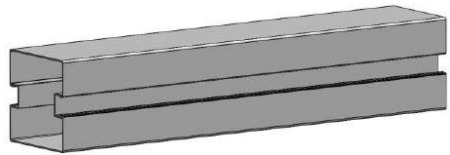
20

1 x

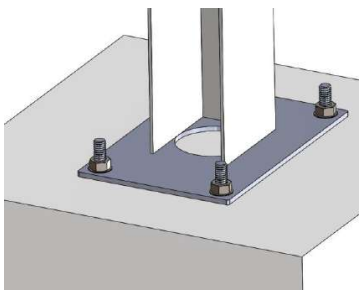


21

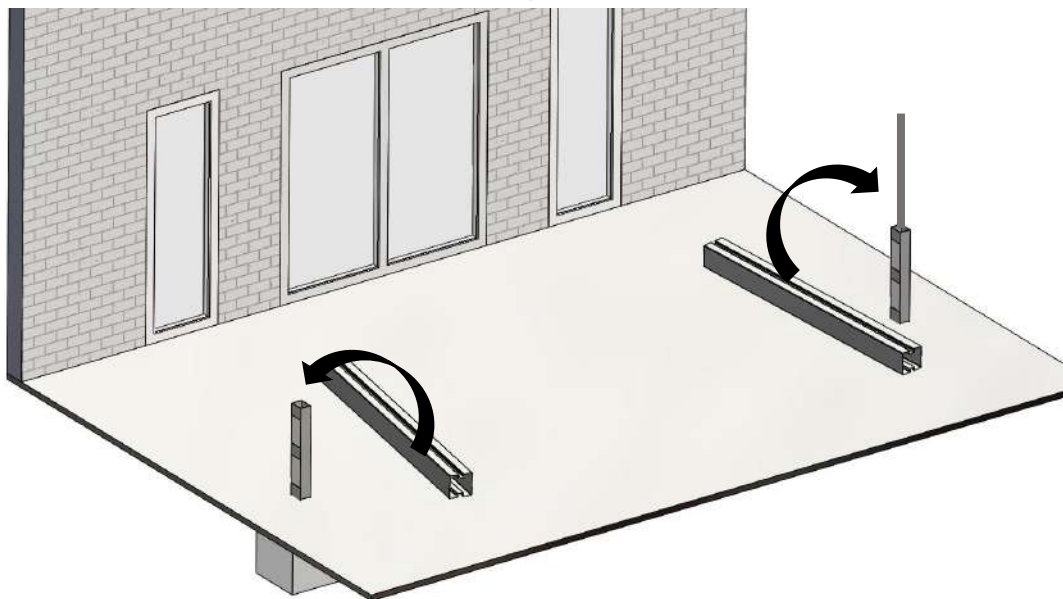
2 x



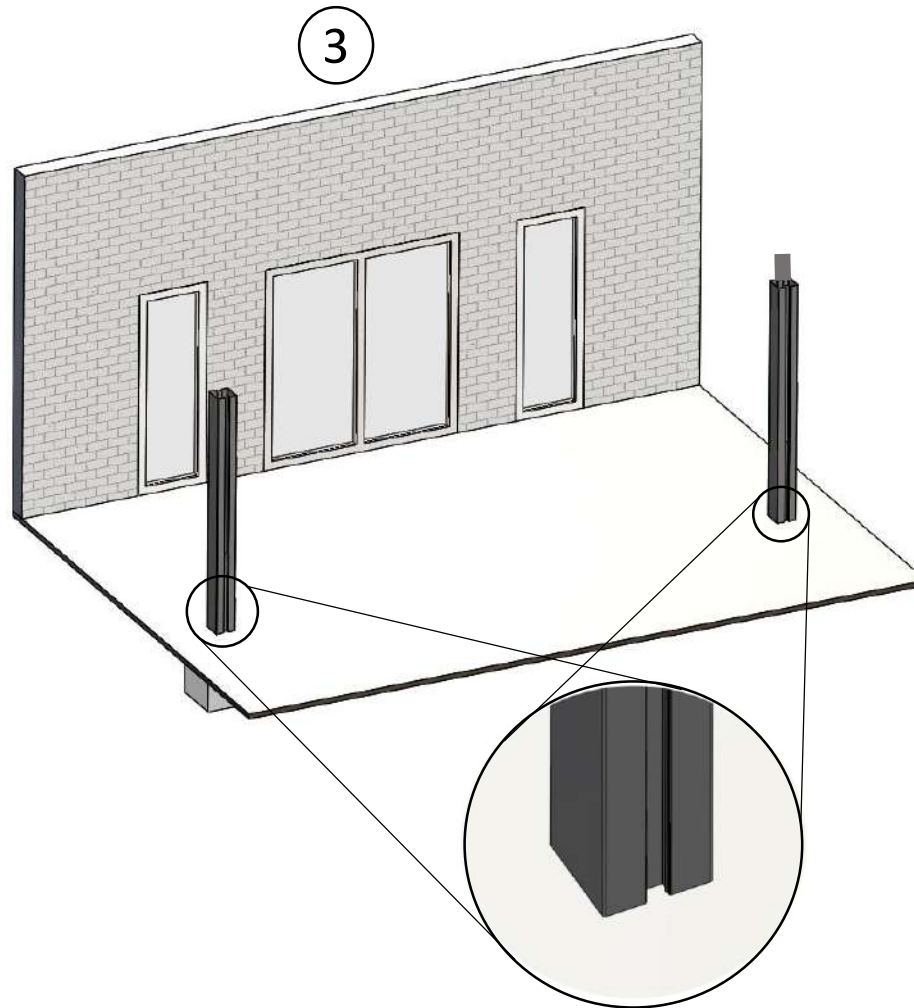
AL10001



1



2

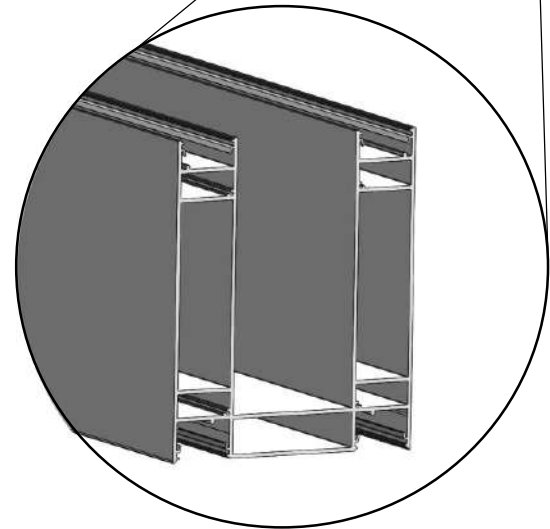
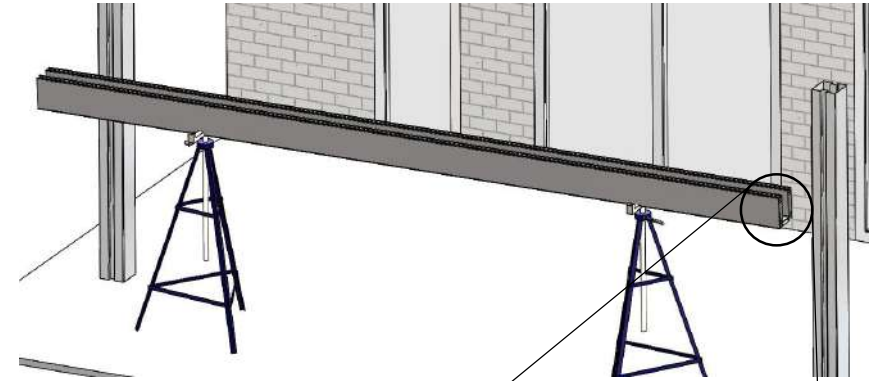
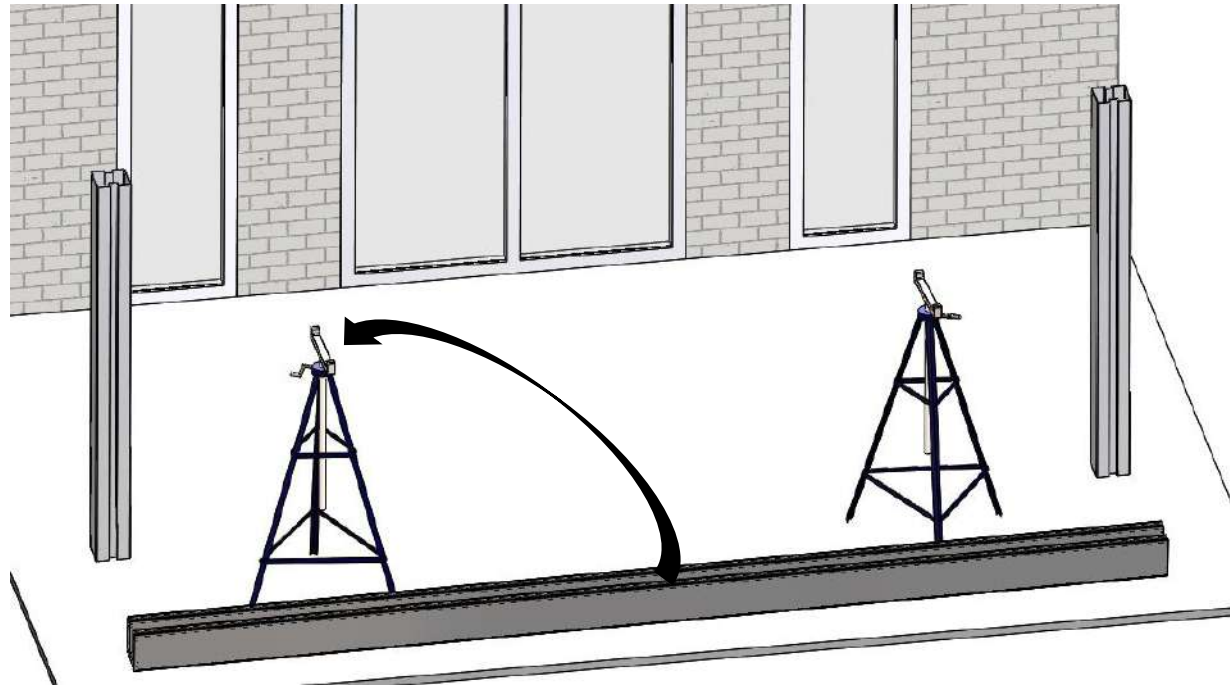


3

22

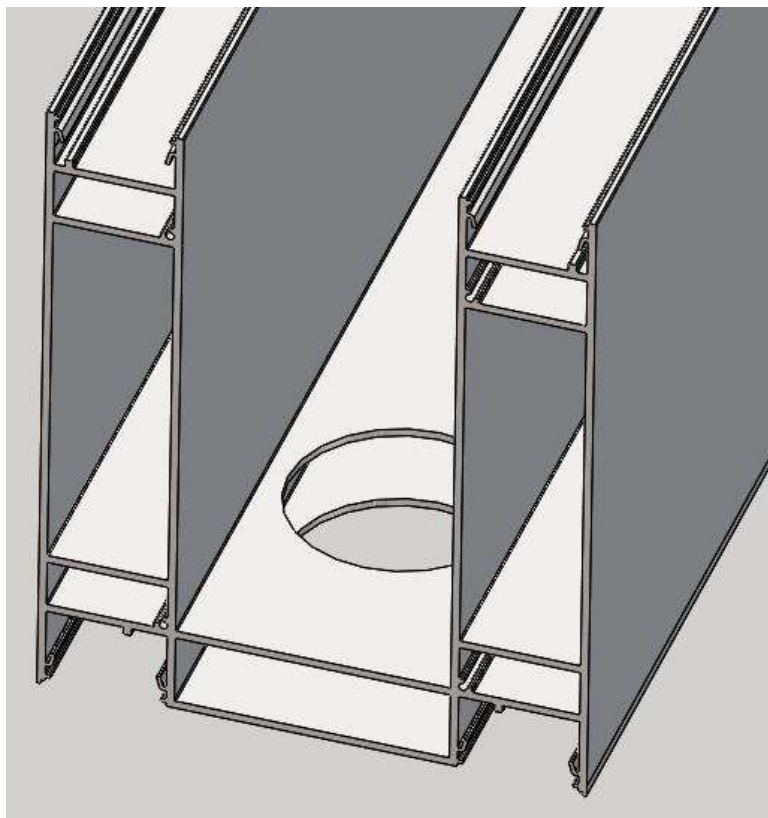
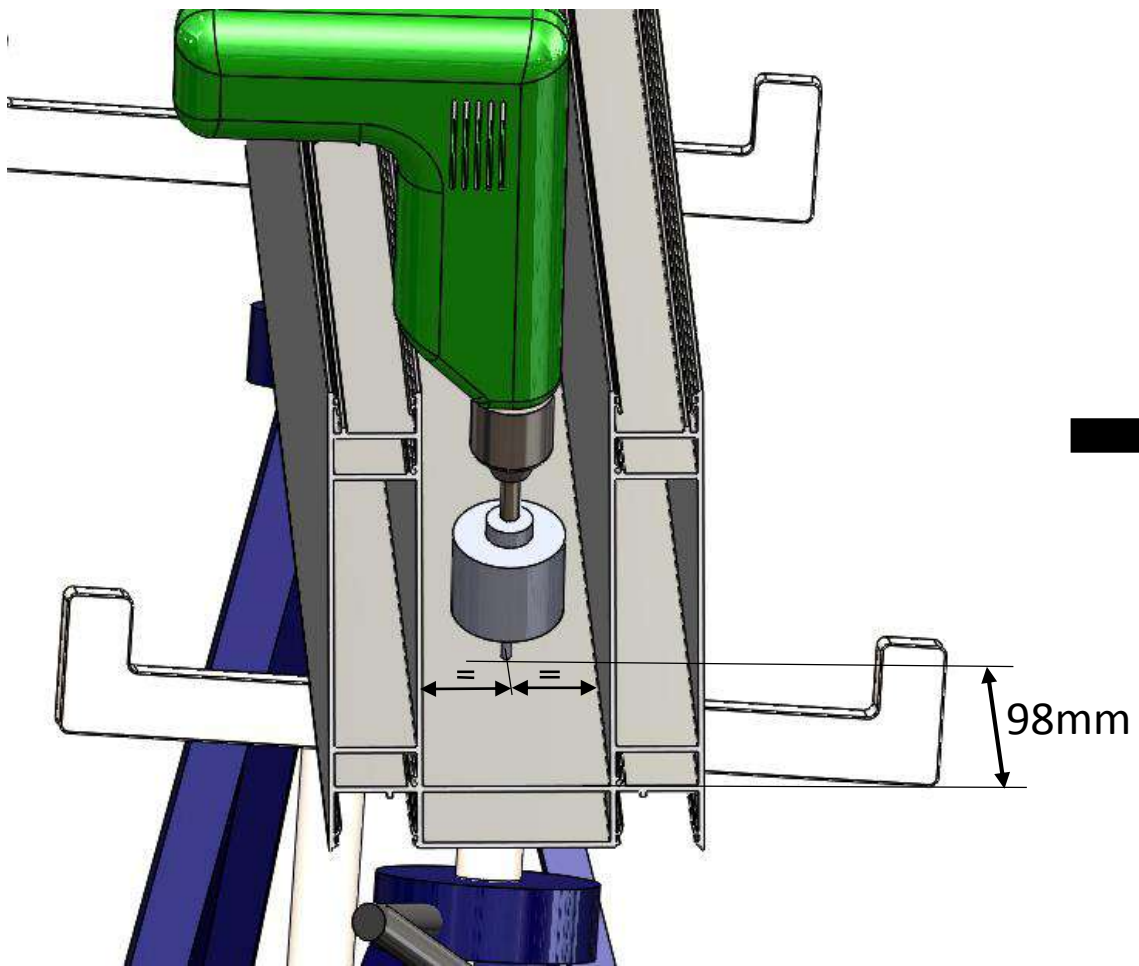
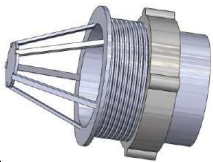


1 x AL10002



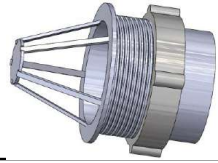
23

1 x

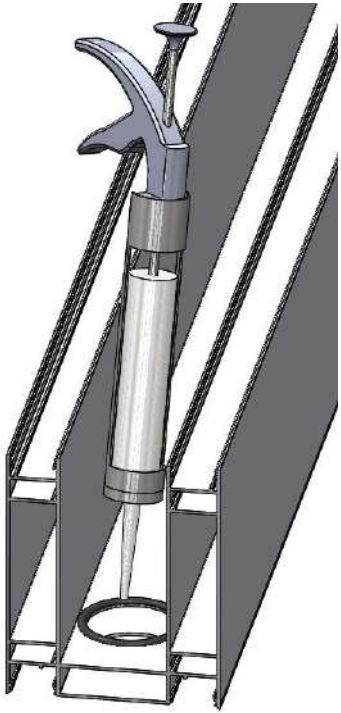


24

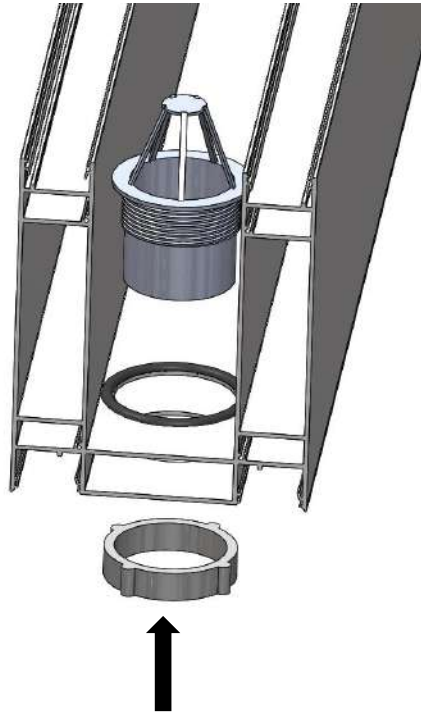
1 x



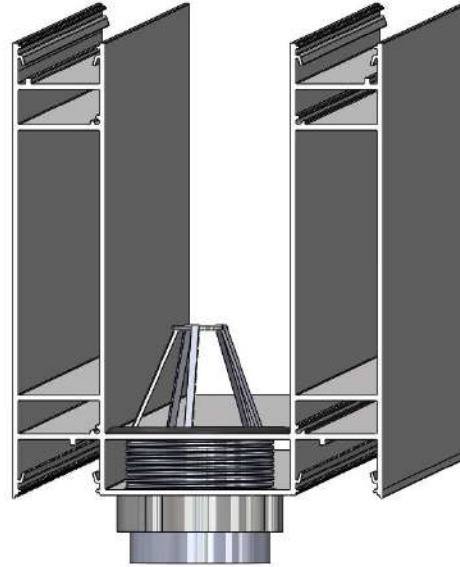
1



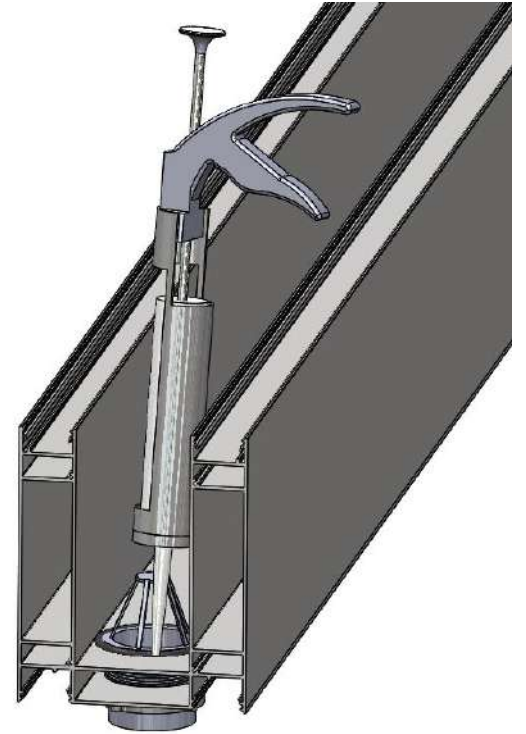
2



3



4



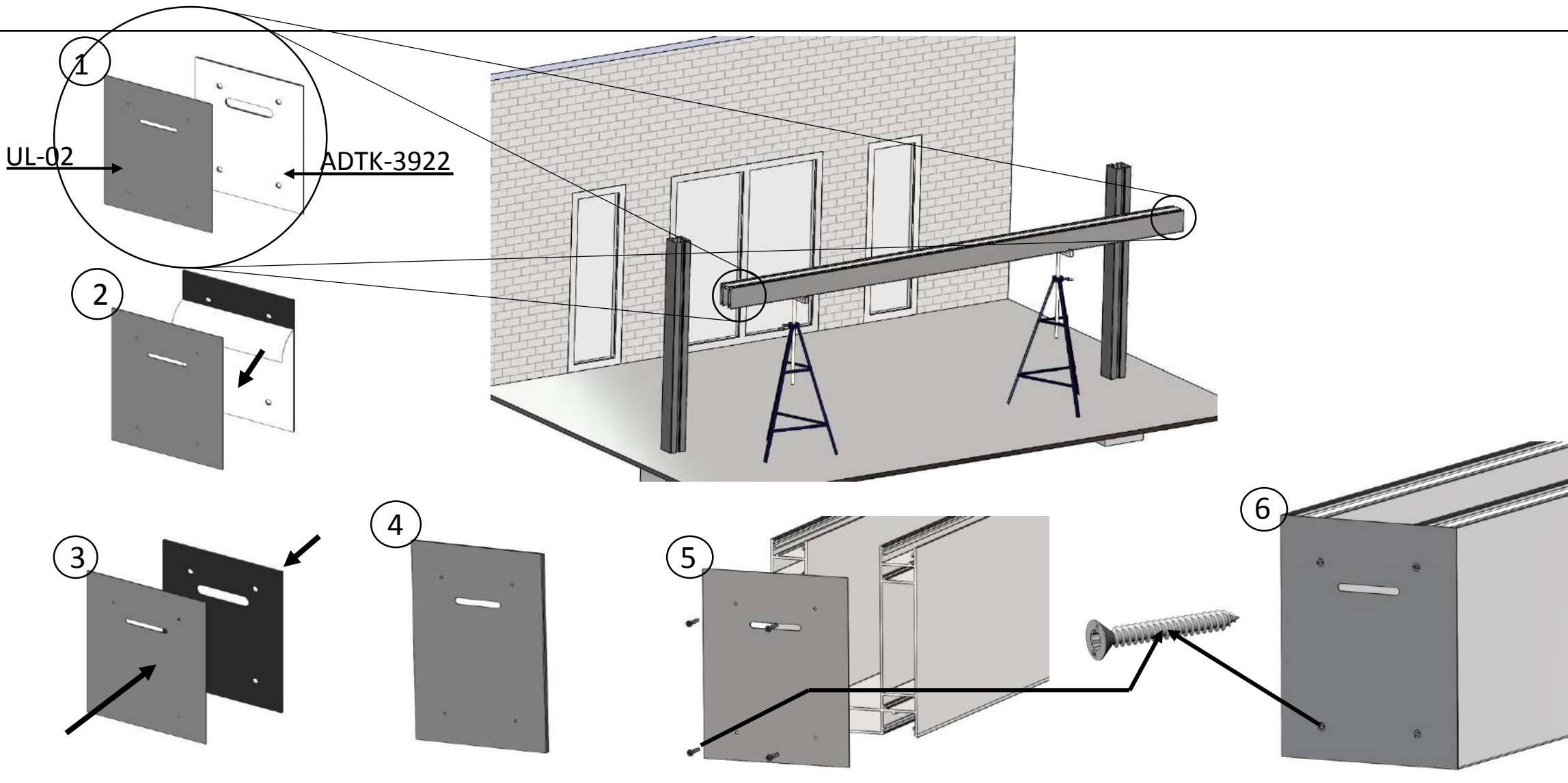
25

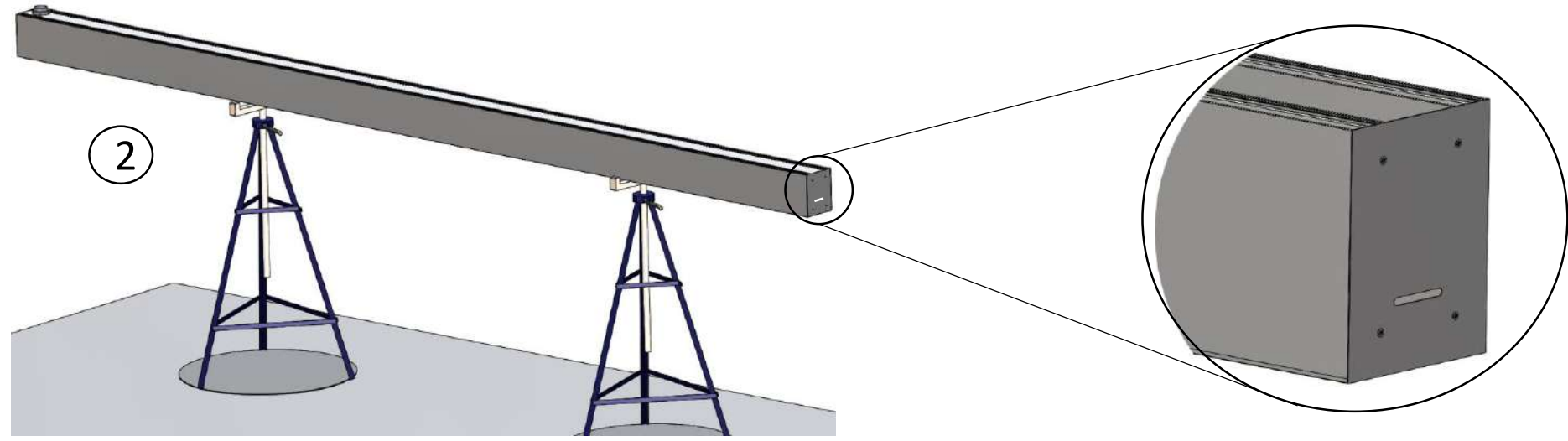
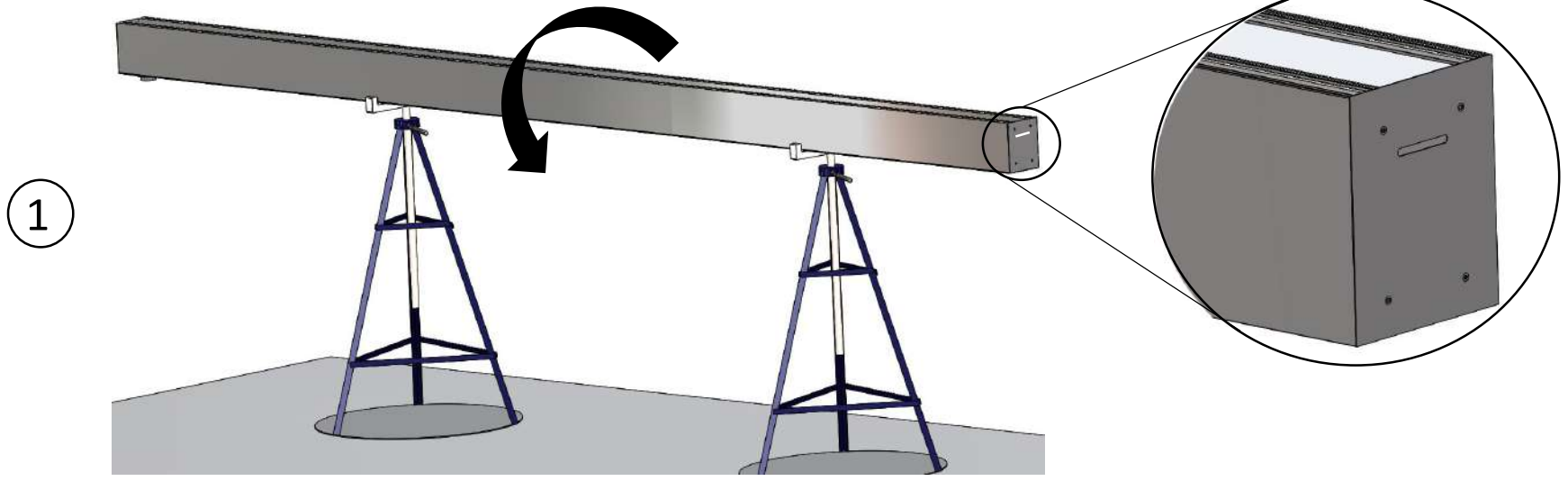
2 x UL-02



2 x ADTK-3922

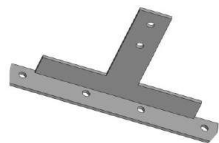
8 x 0390 SA 4,2 x 32





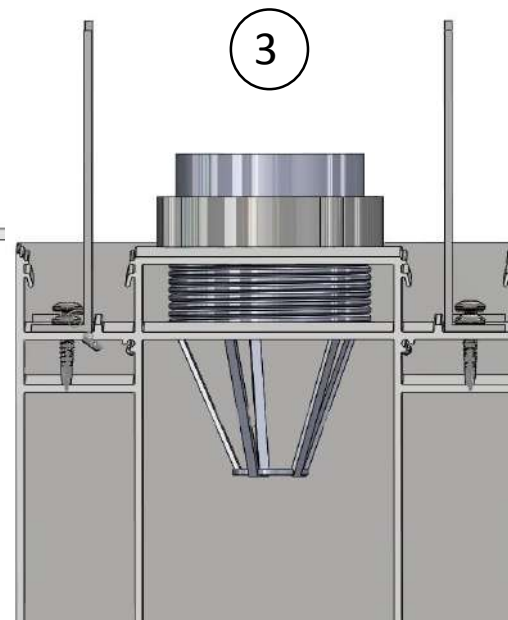
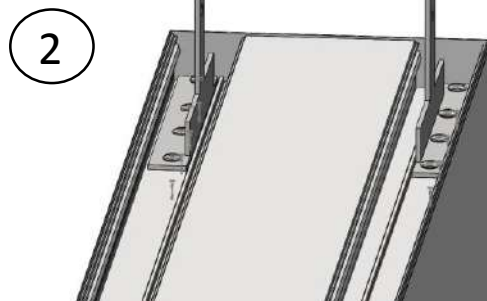
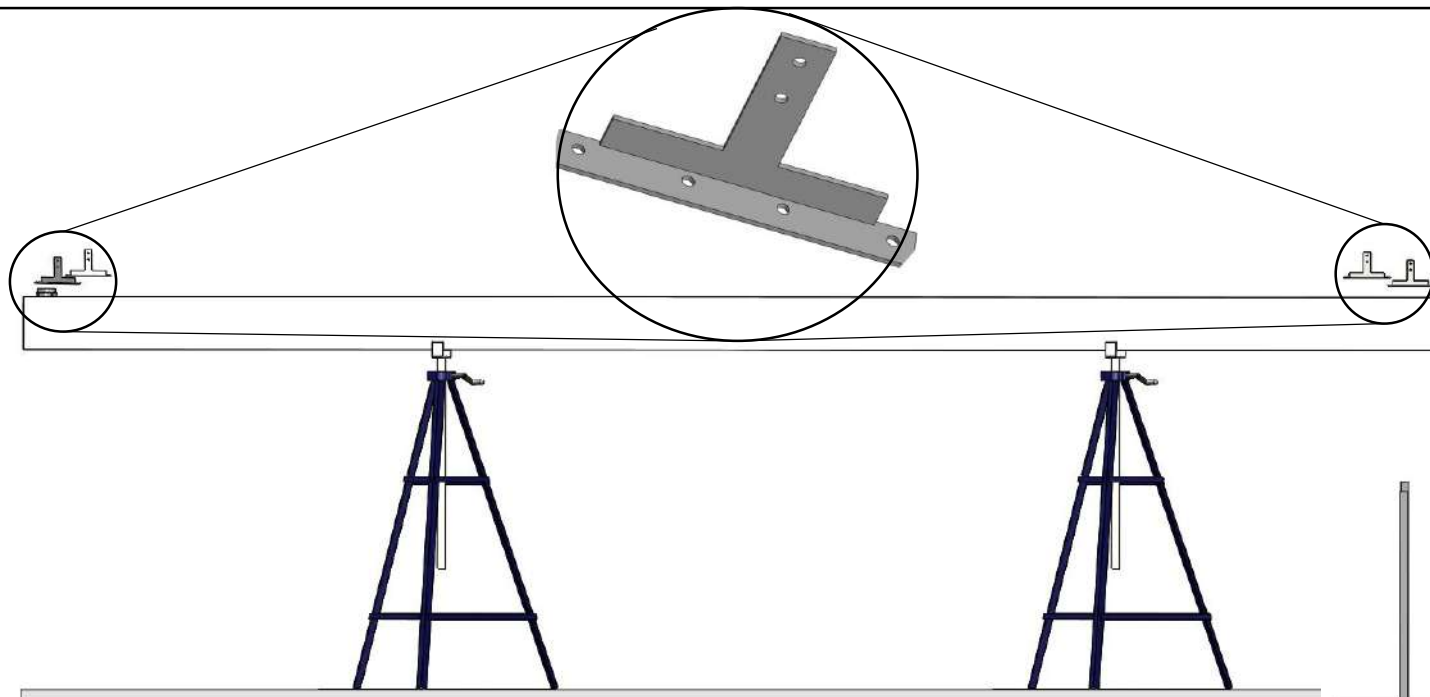
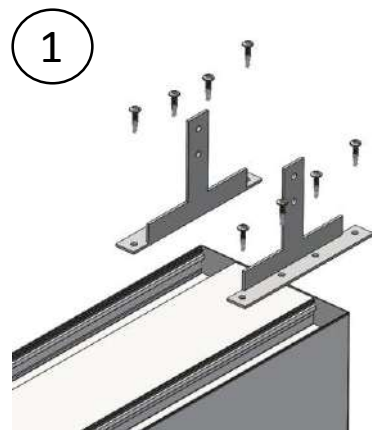
27

4 x



AL10010

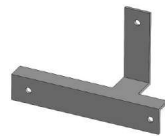
16 x



28

AL10009A en AL10009B

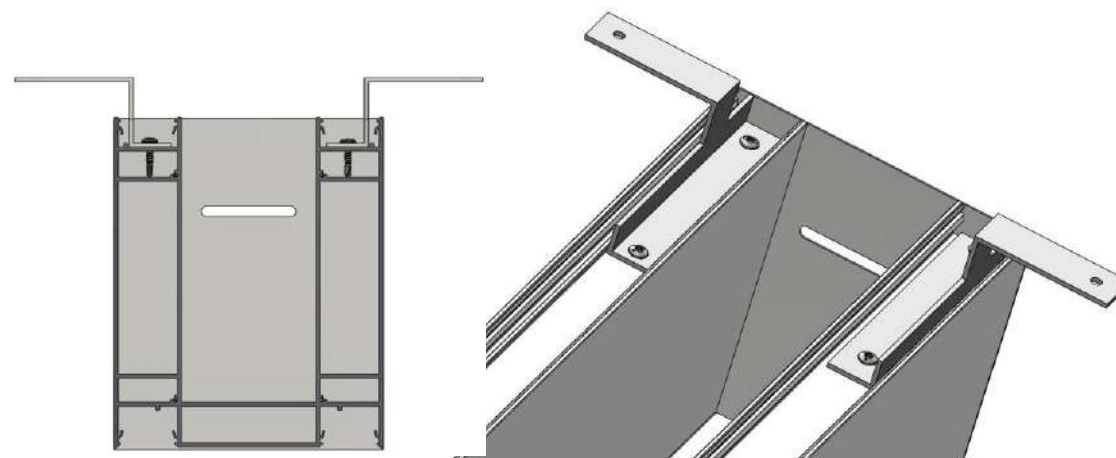
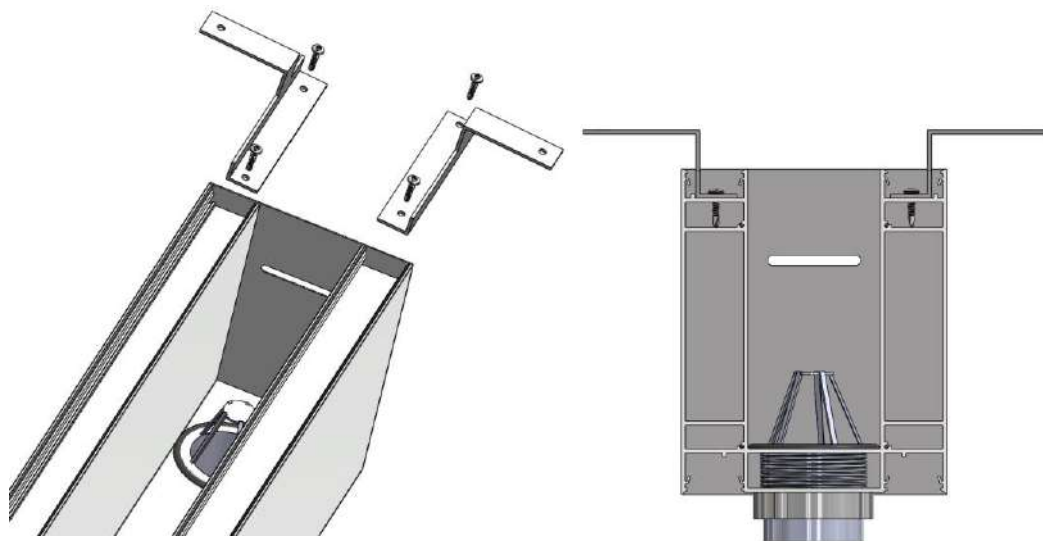
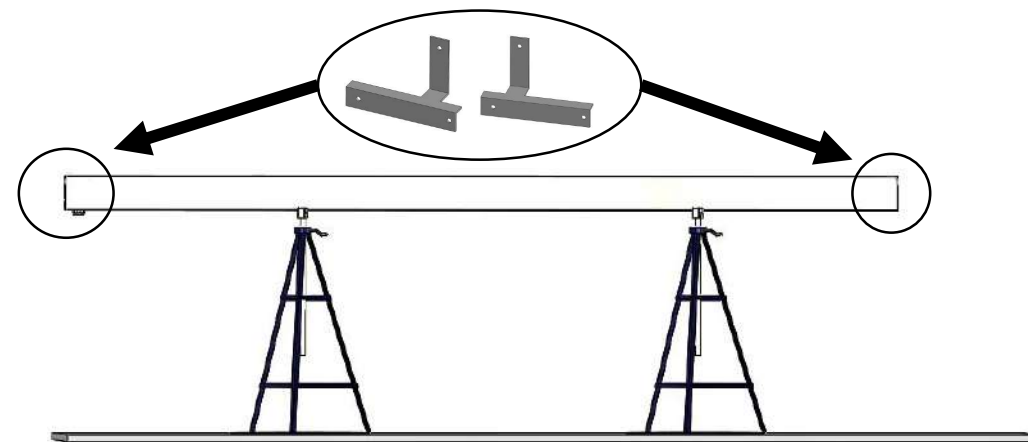
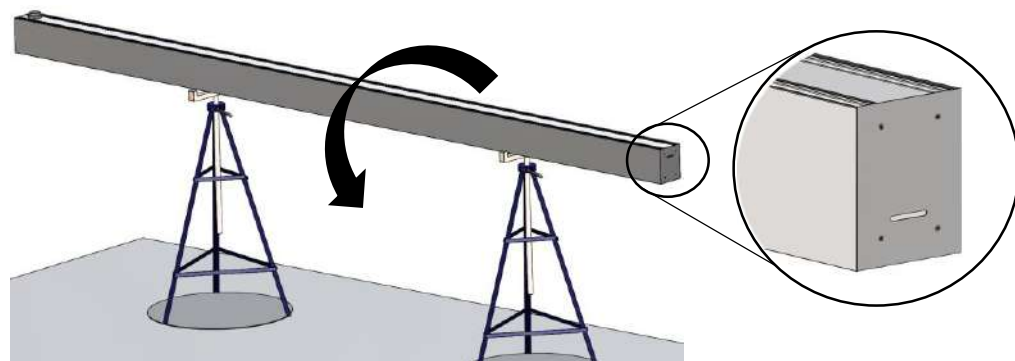
2 x

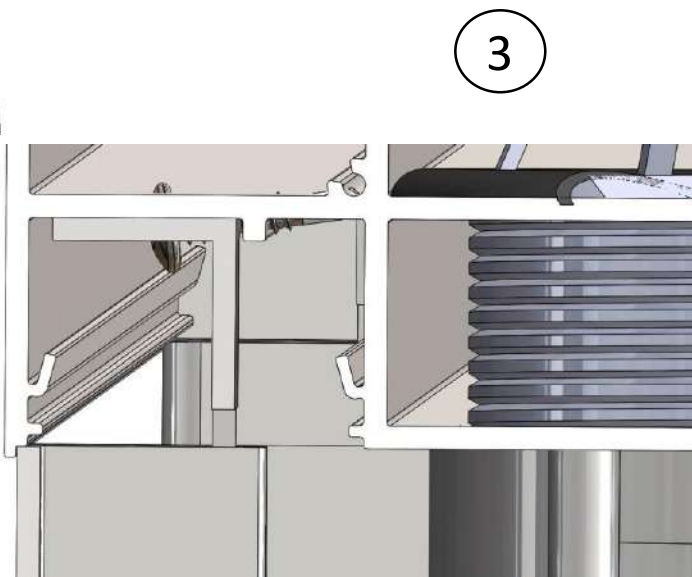
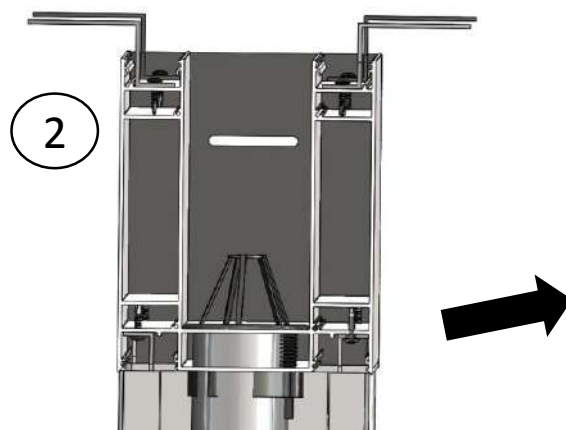
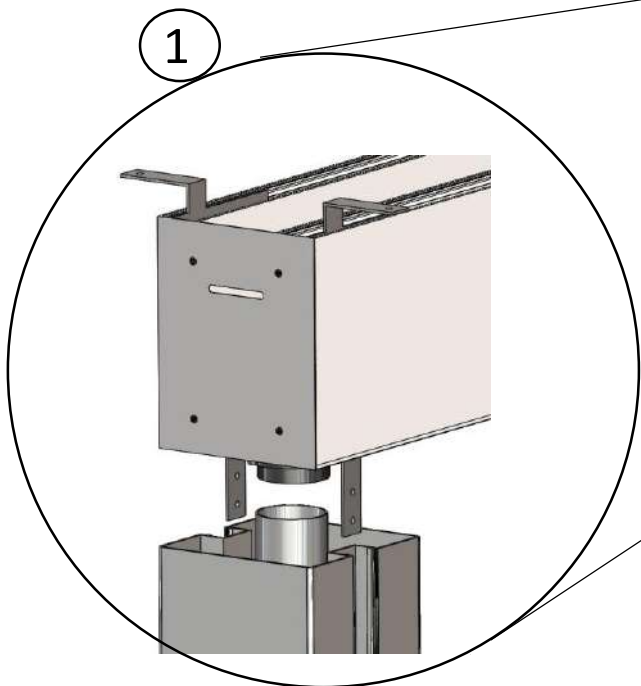


2 x



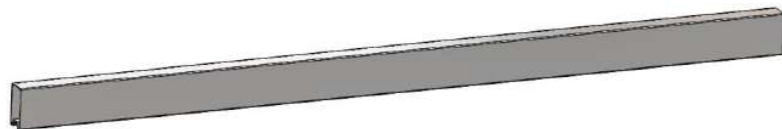
8 x 303 BI 5,5 x 25



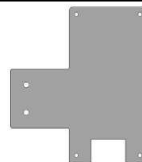


30

2 x AL10003



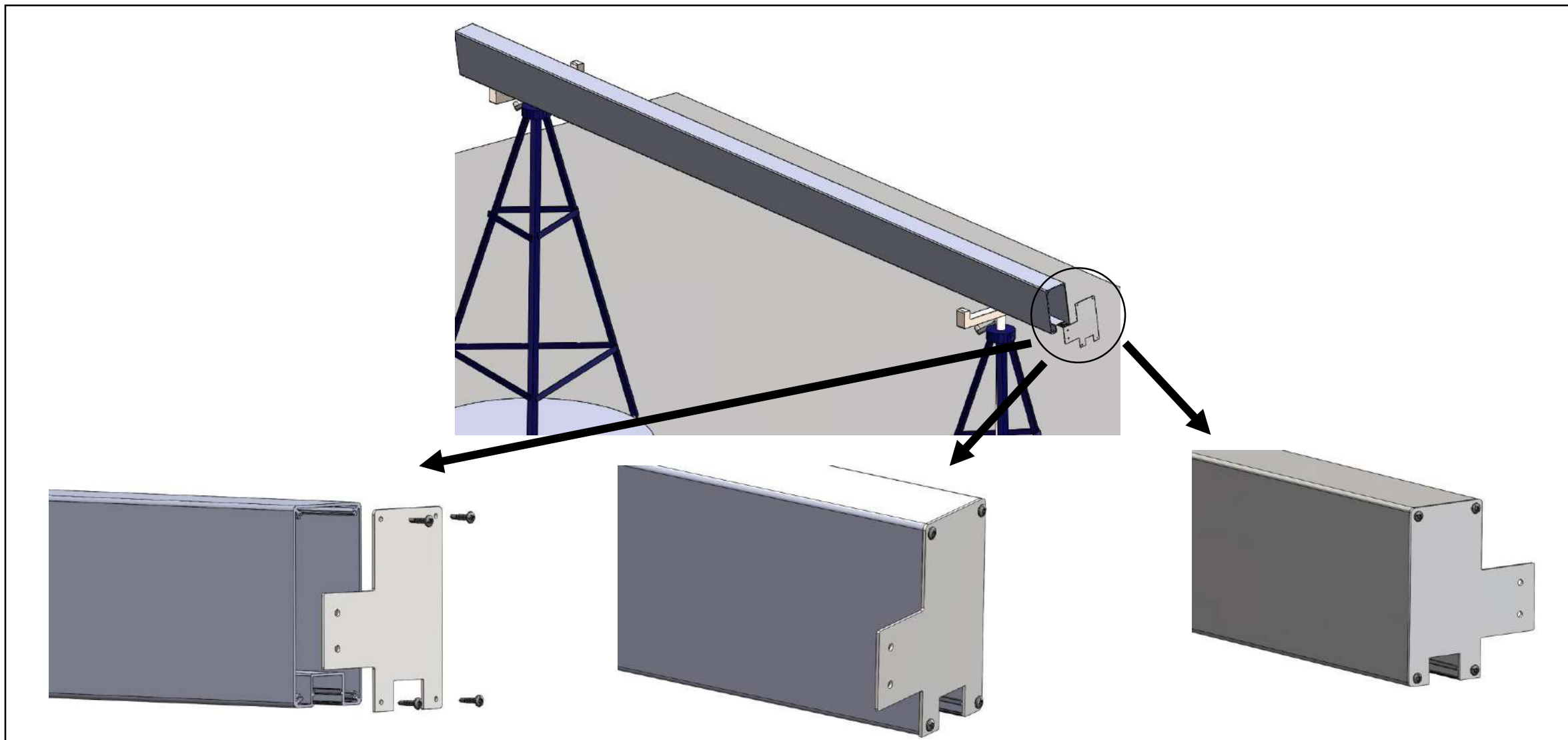
1 x



1 x

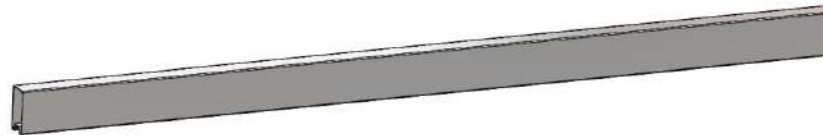


8 x



31

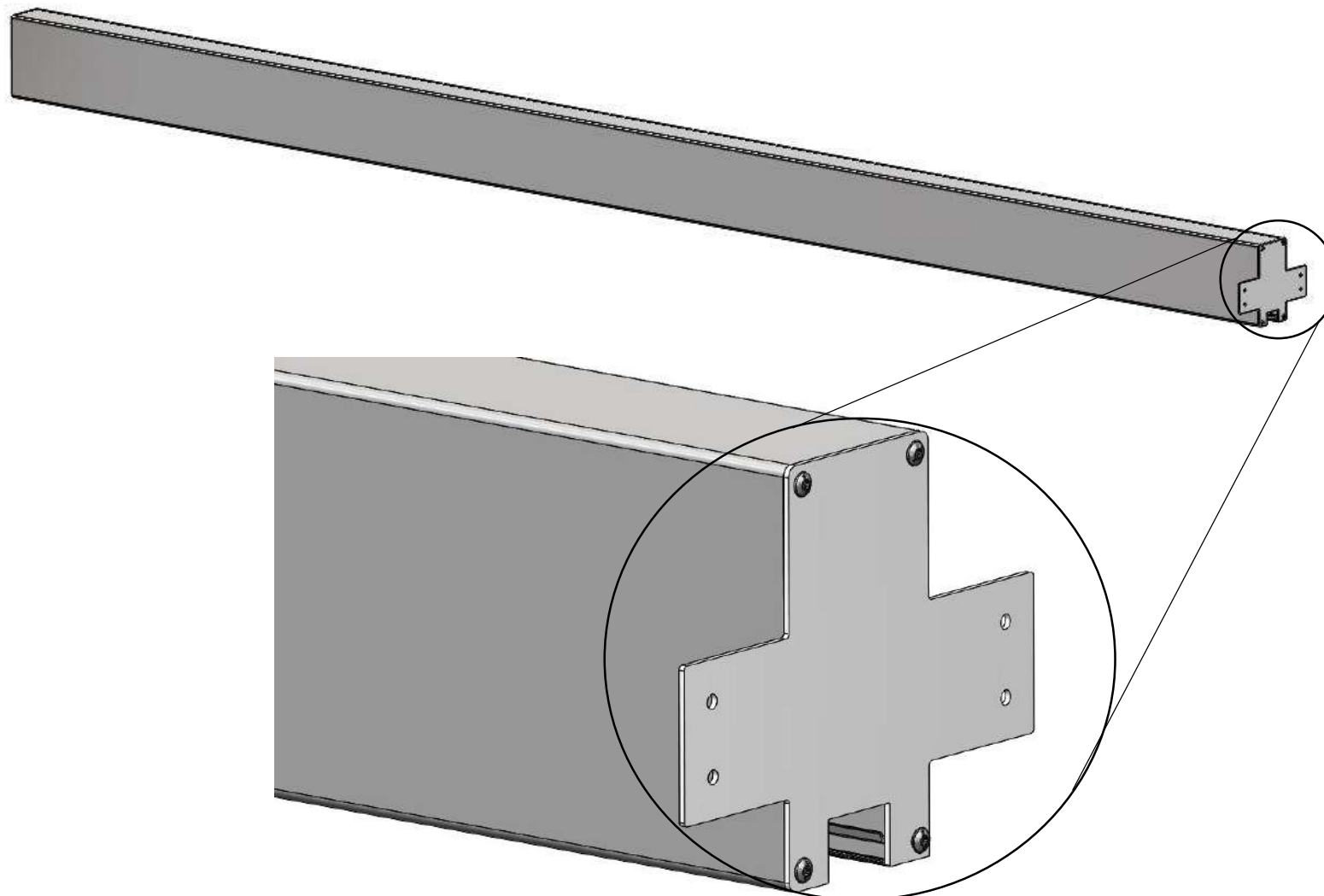
N x AL10003



N x

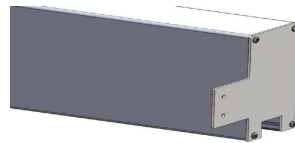


N x

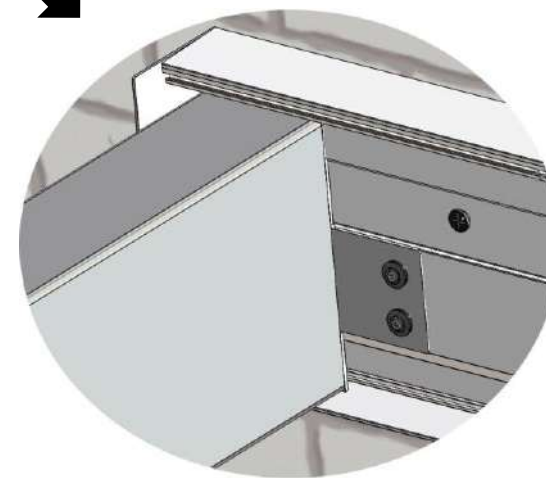
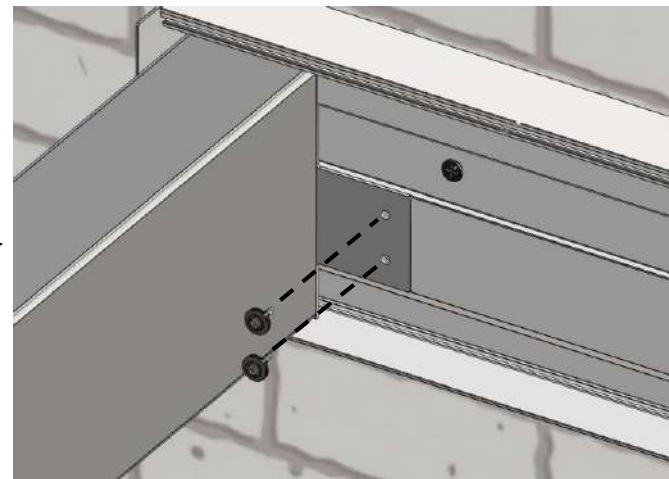
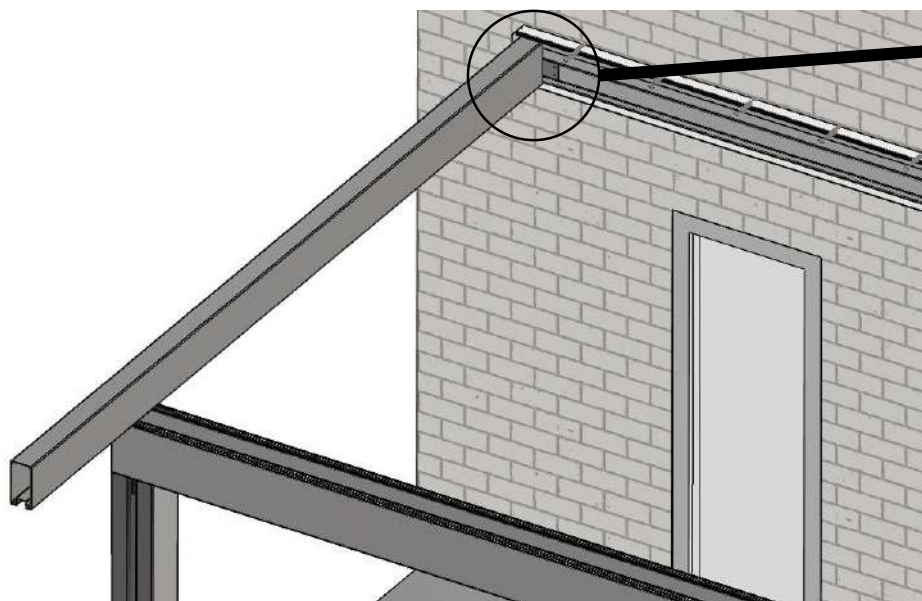


32

1 x AL10003 + 0300



2 x

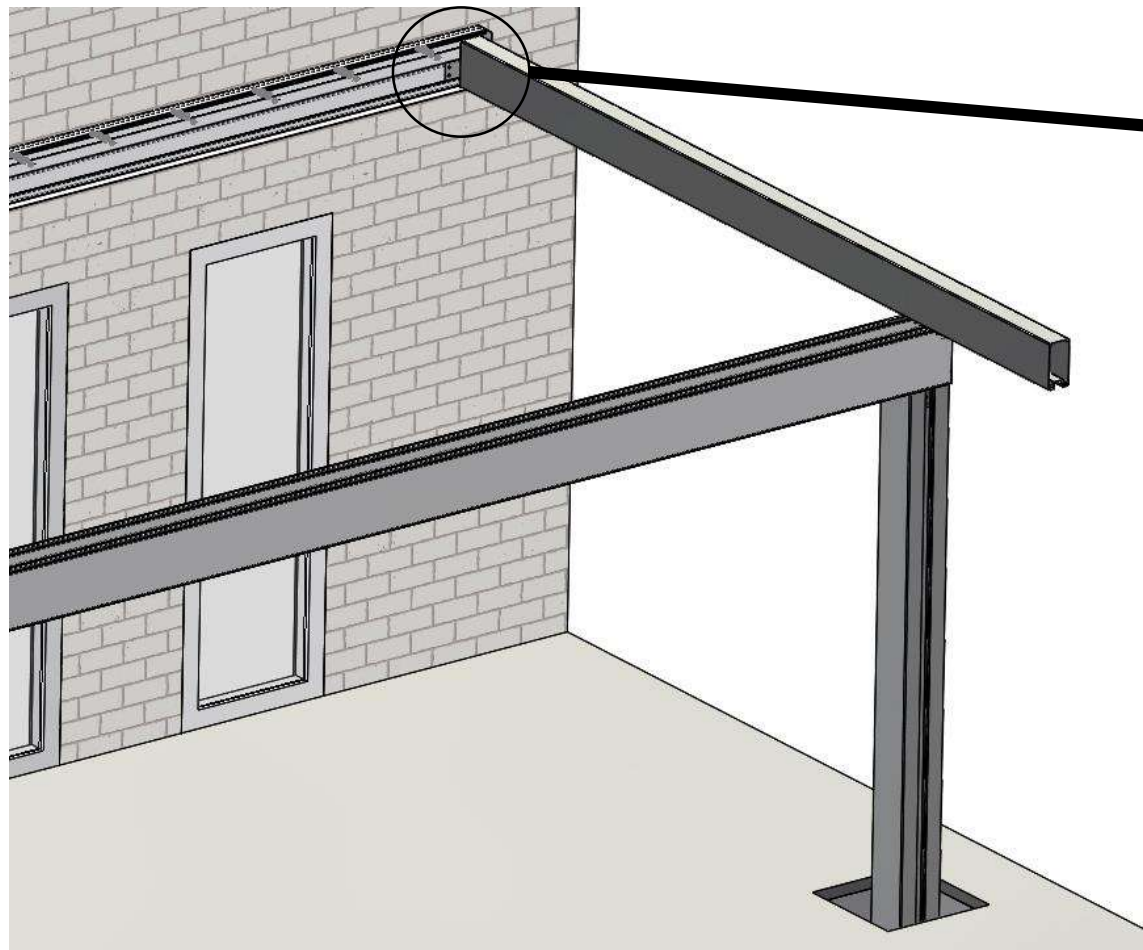


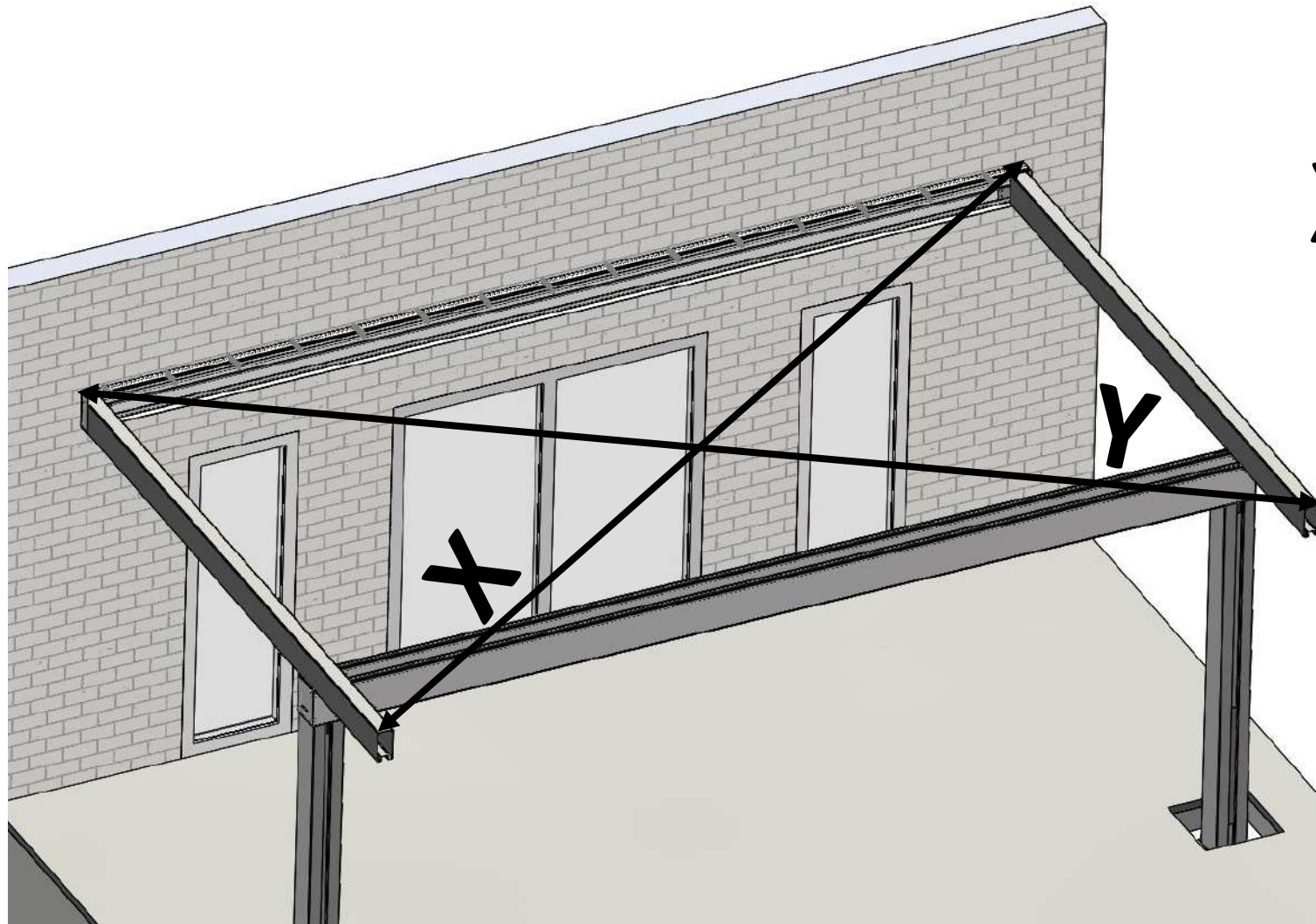
33

1 x AL10003 + 0300



2 x

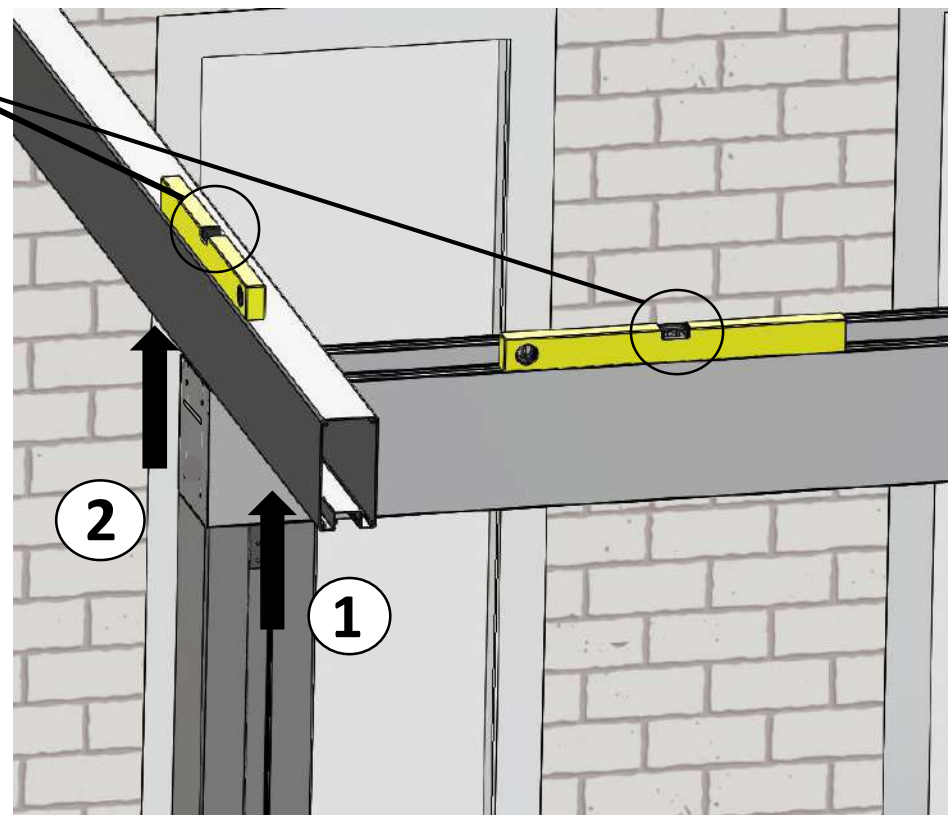
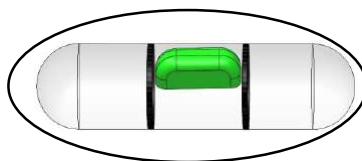
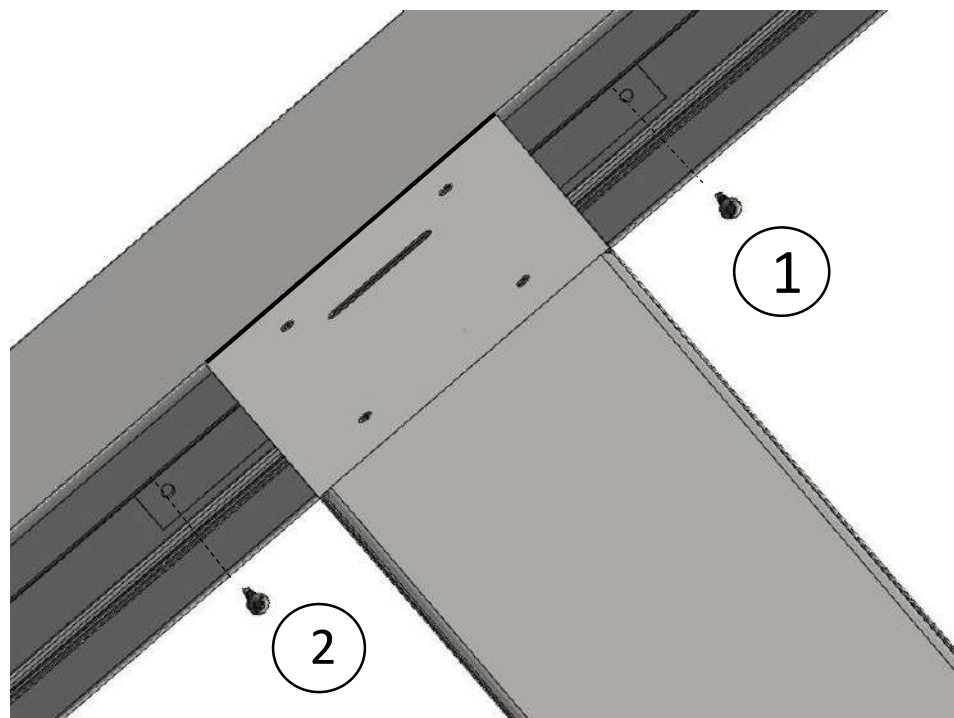




$$X = Y$$

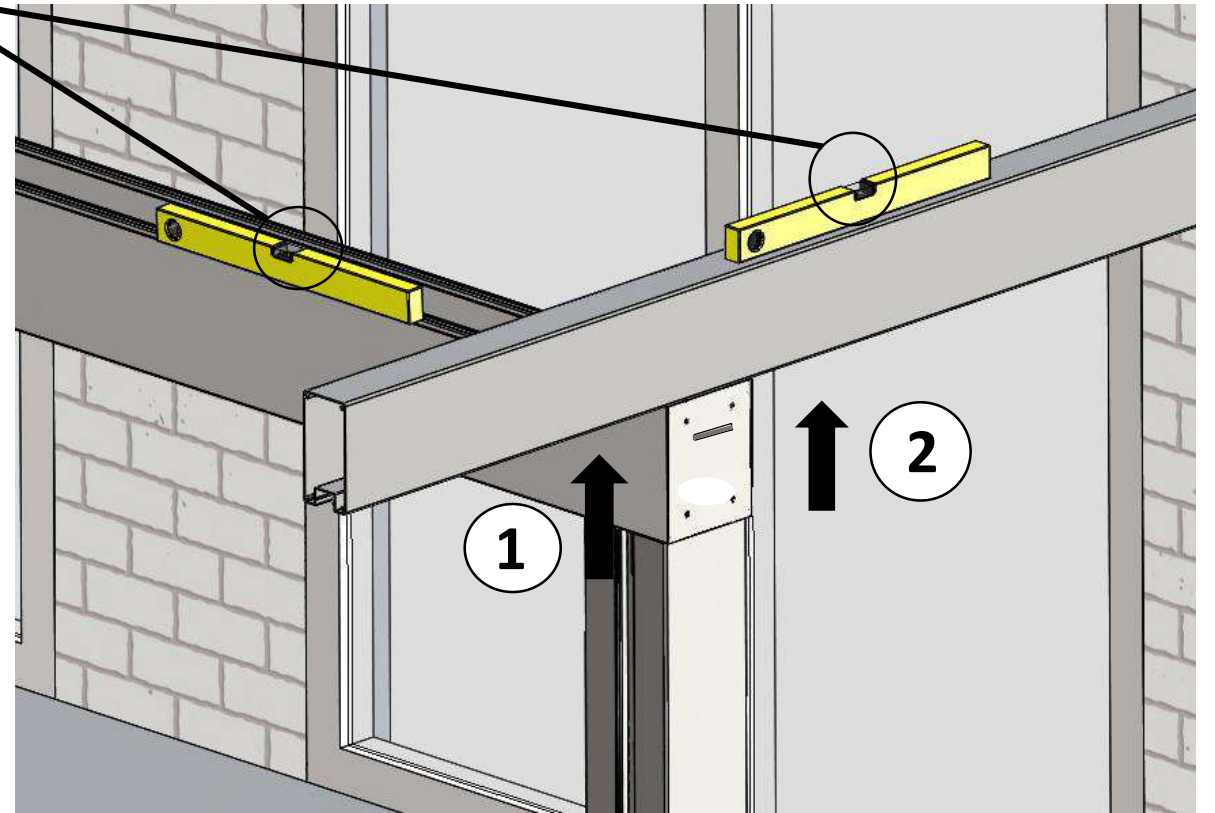
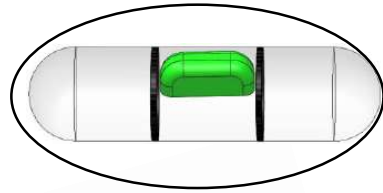
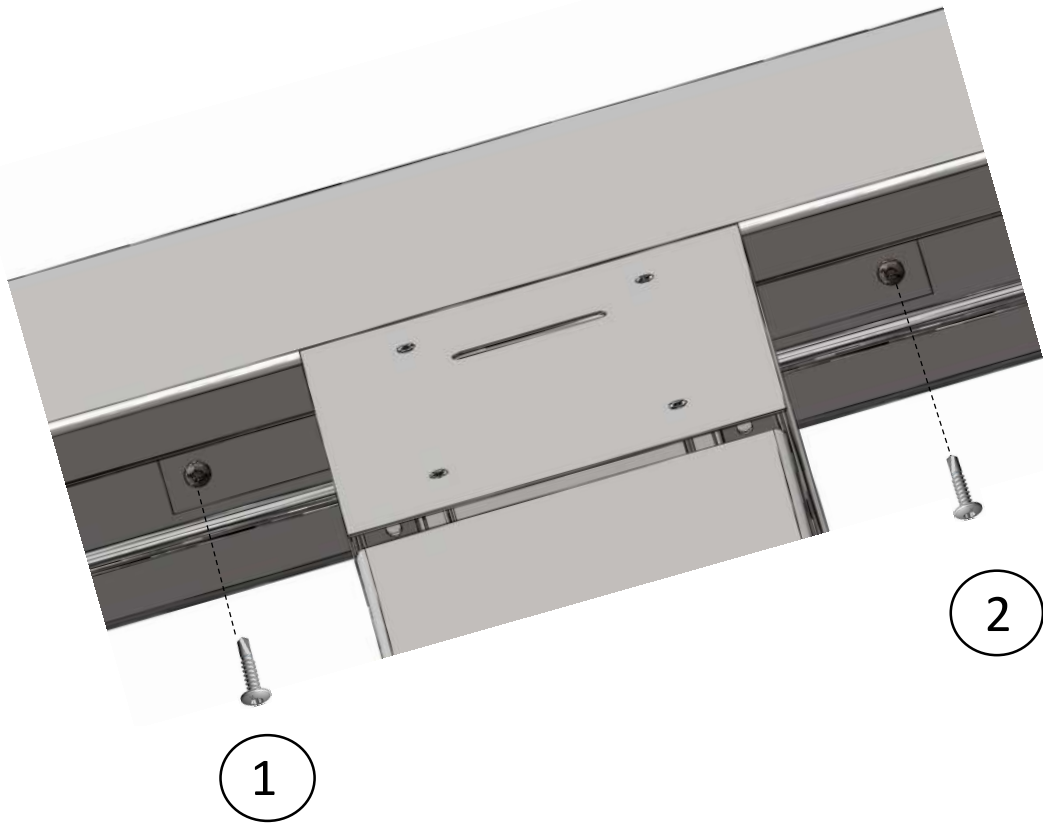
35

2 x



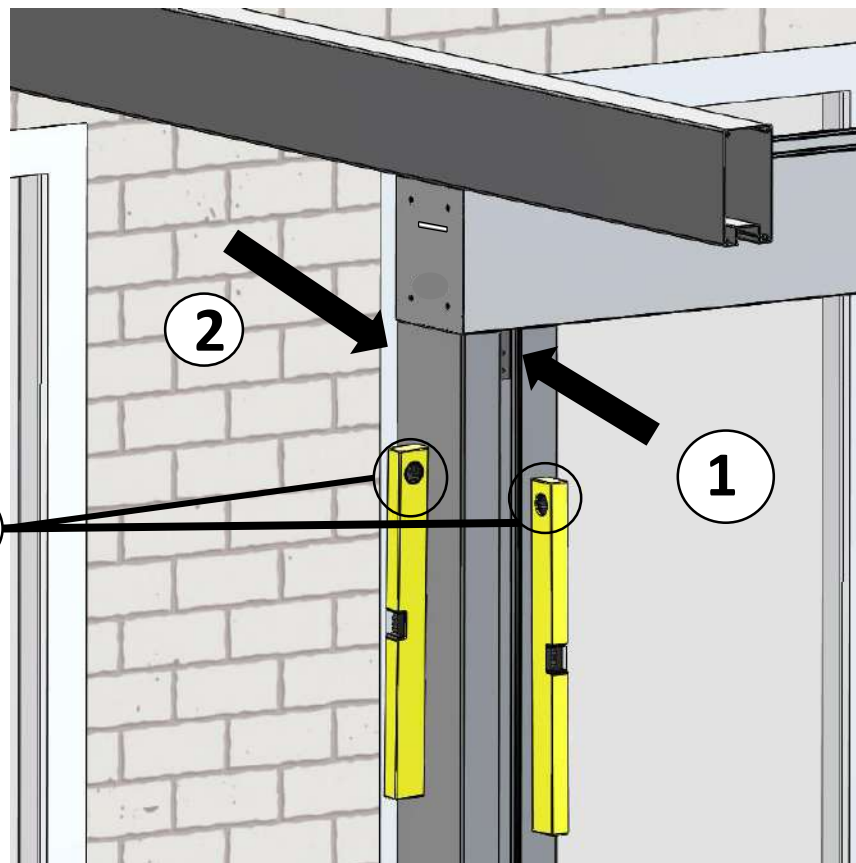
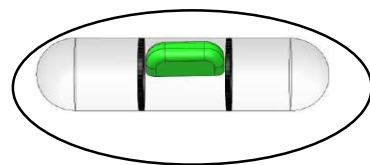
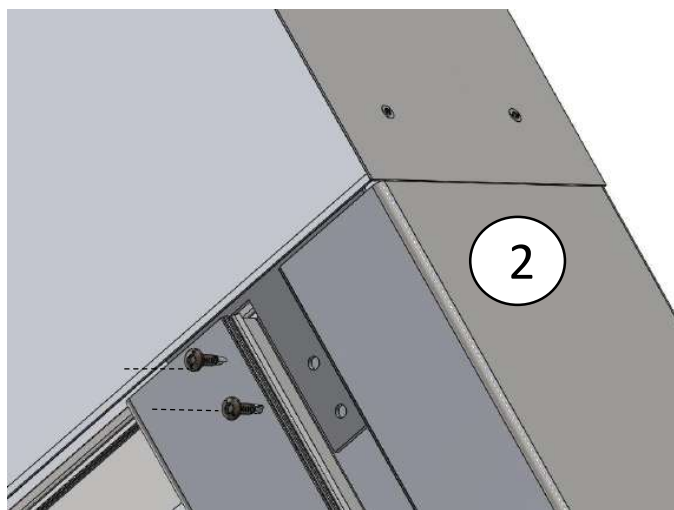
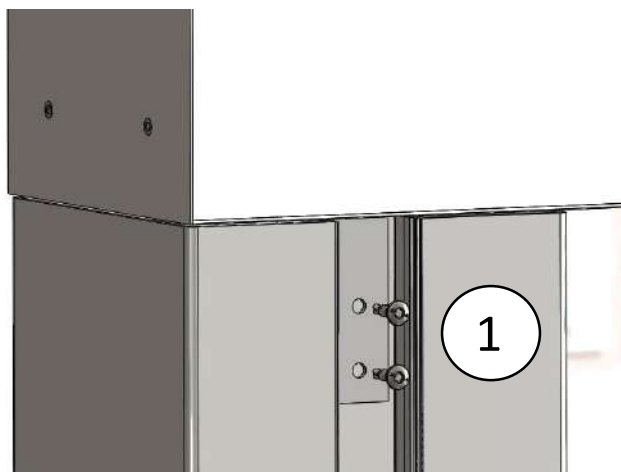
36

2 x



37

4 x

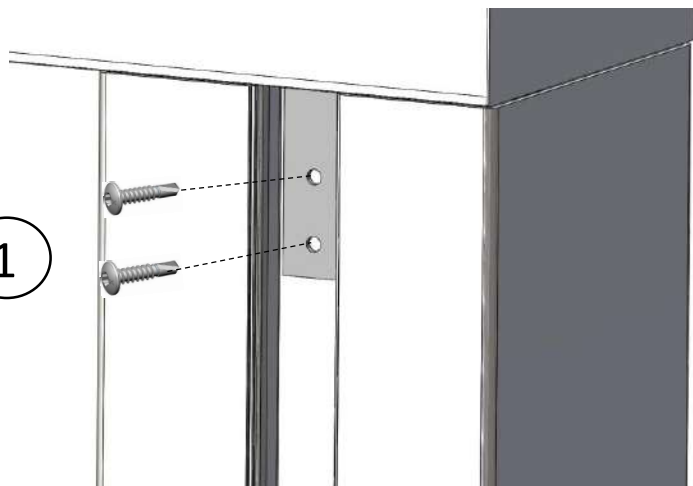


38

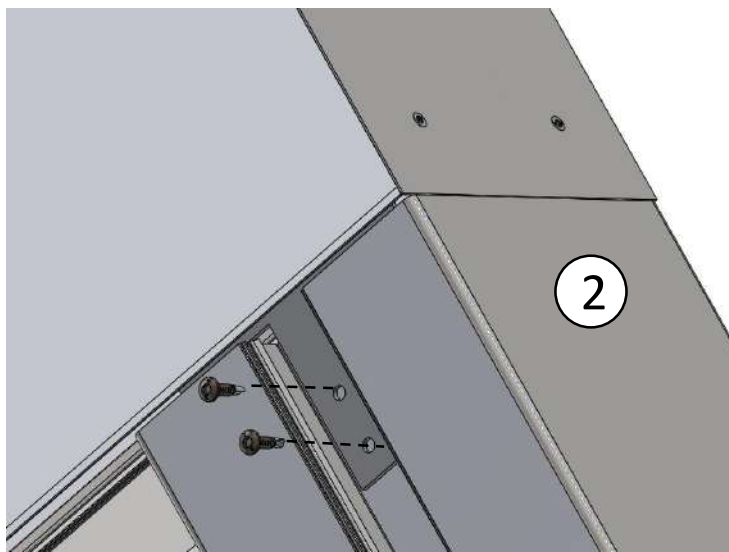
4 x



1

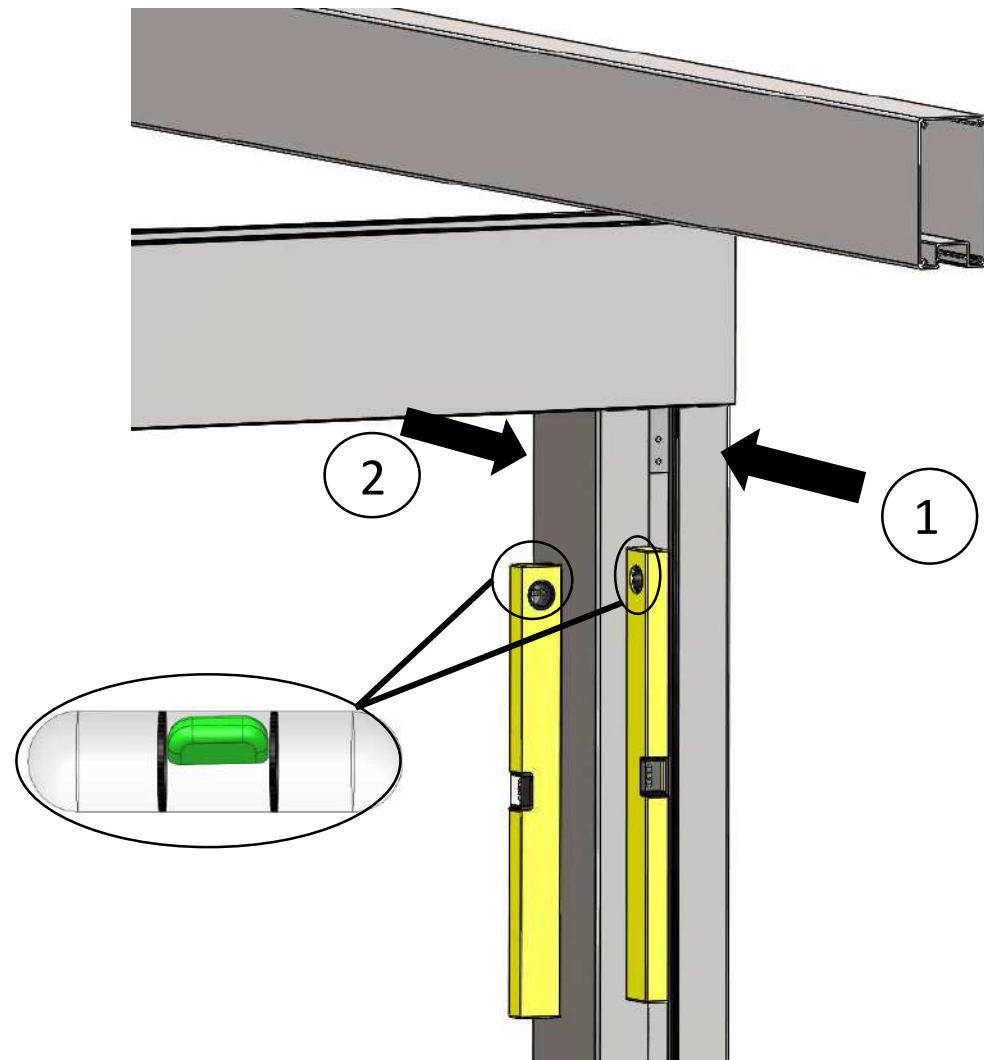


2



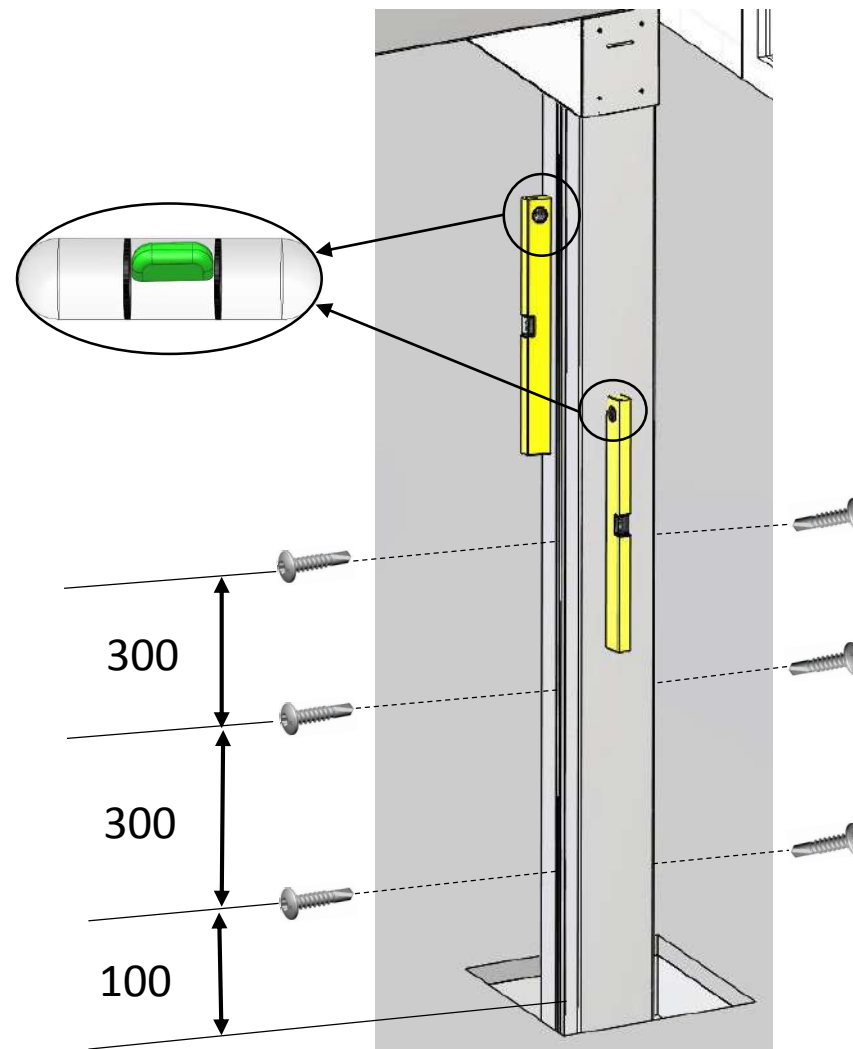
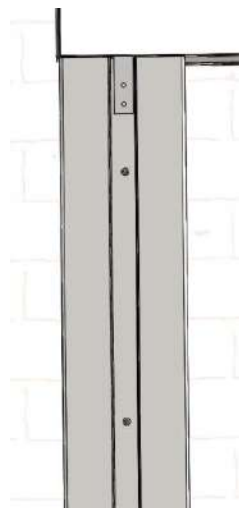
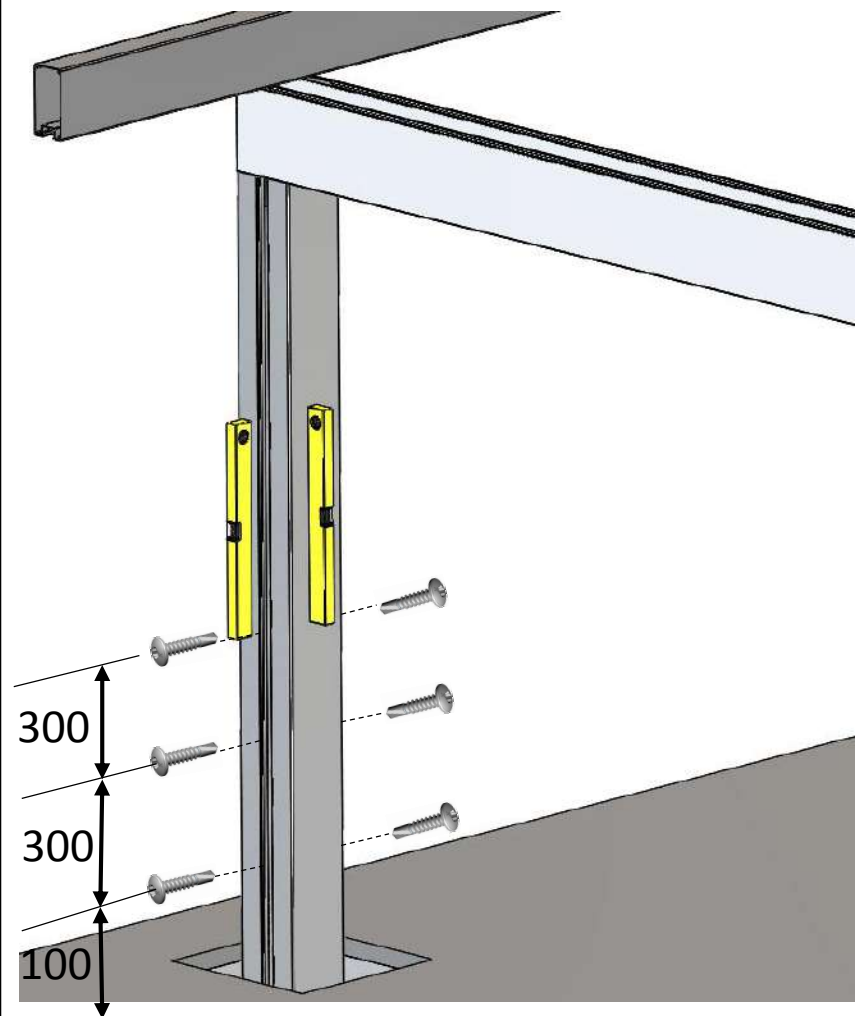
2

1



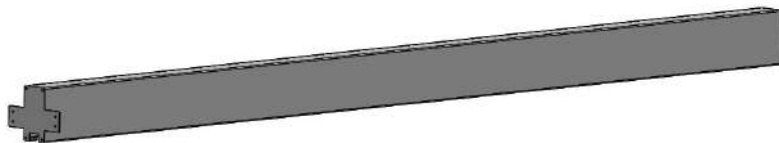
39

12 x

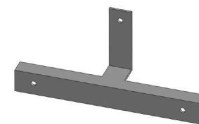


40

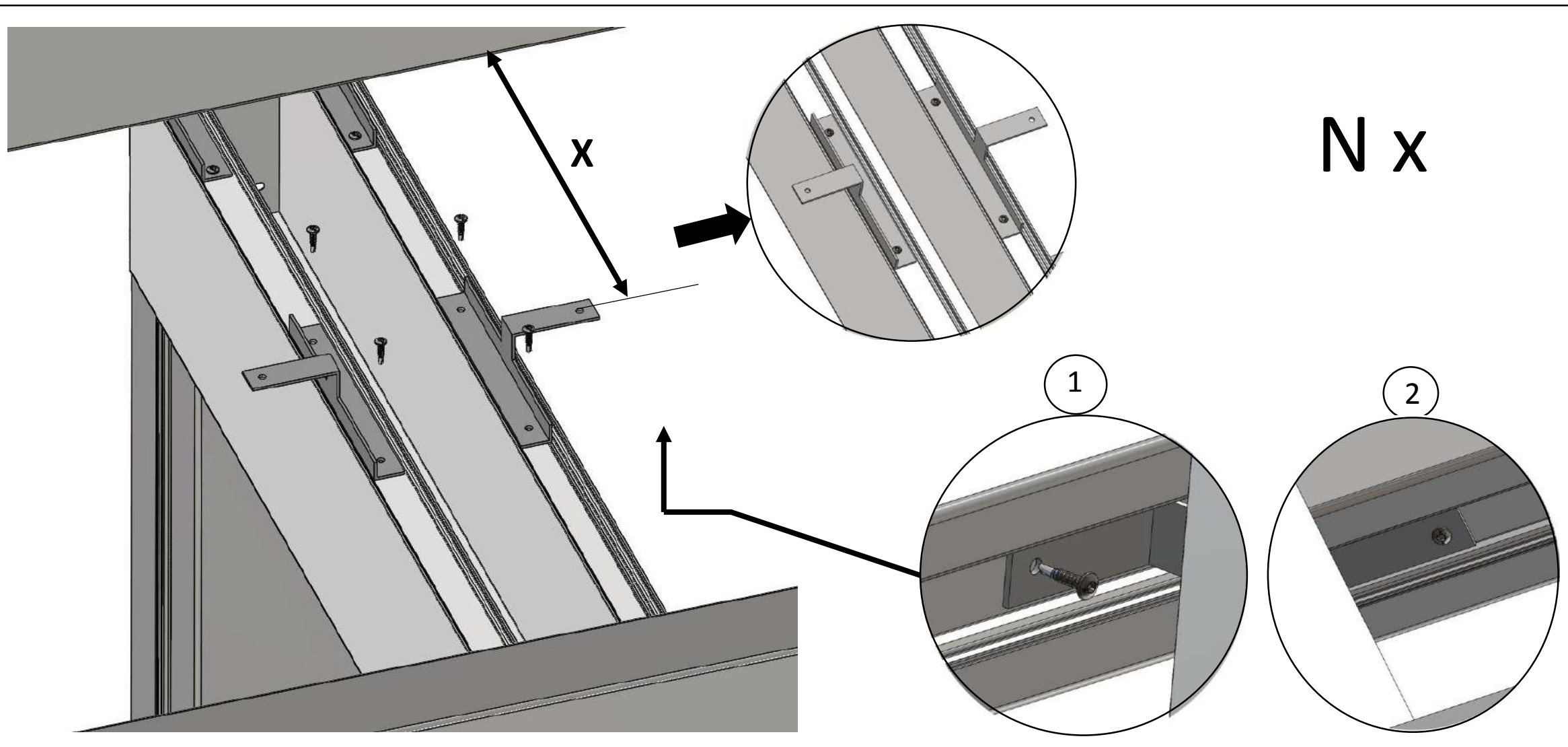
6 x

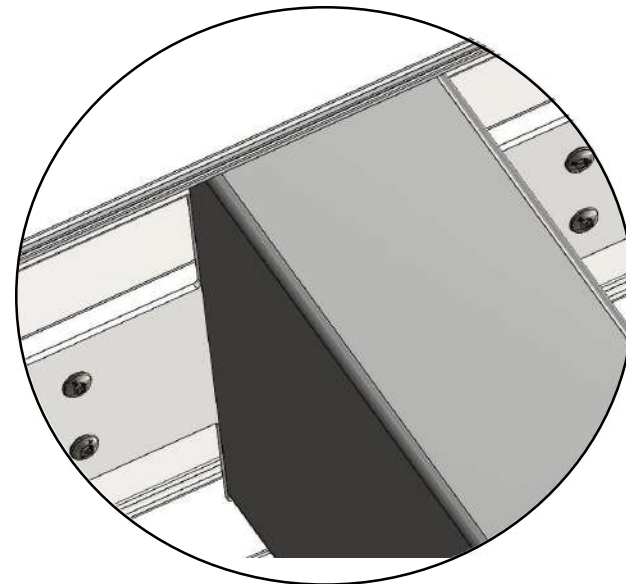
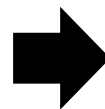
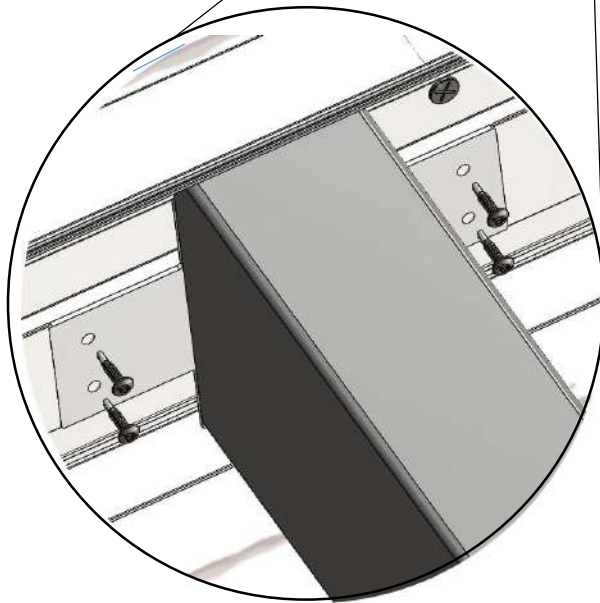
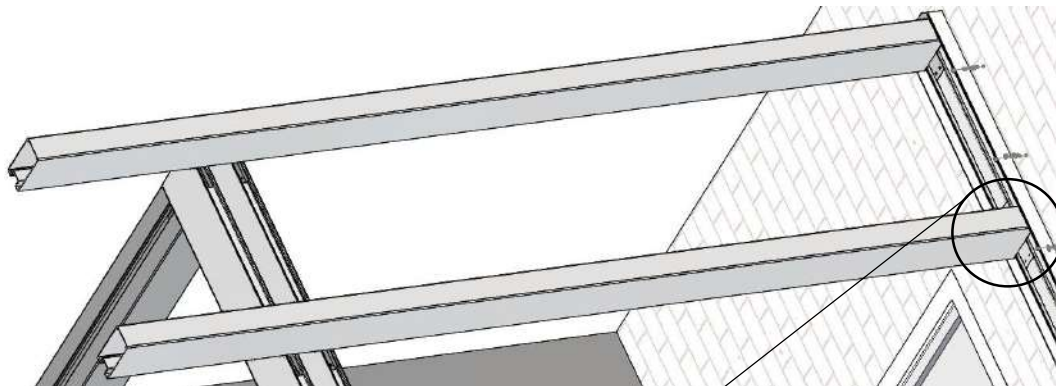


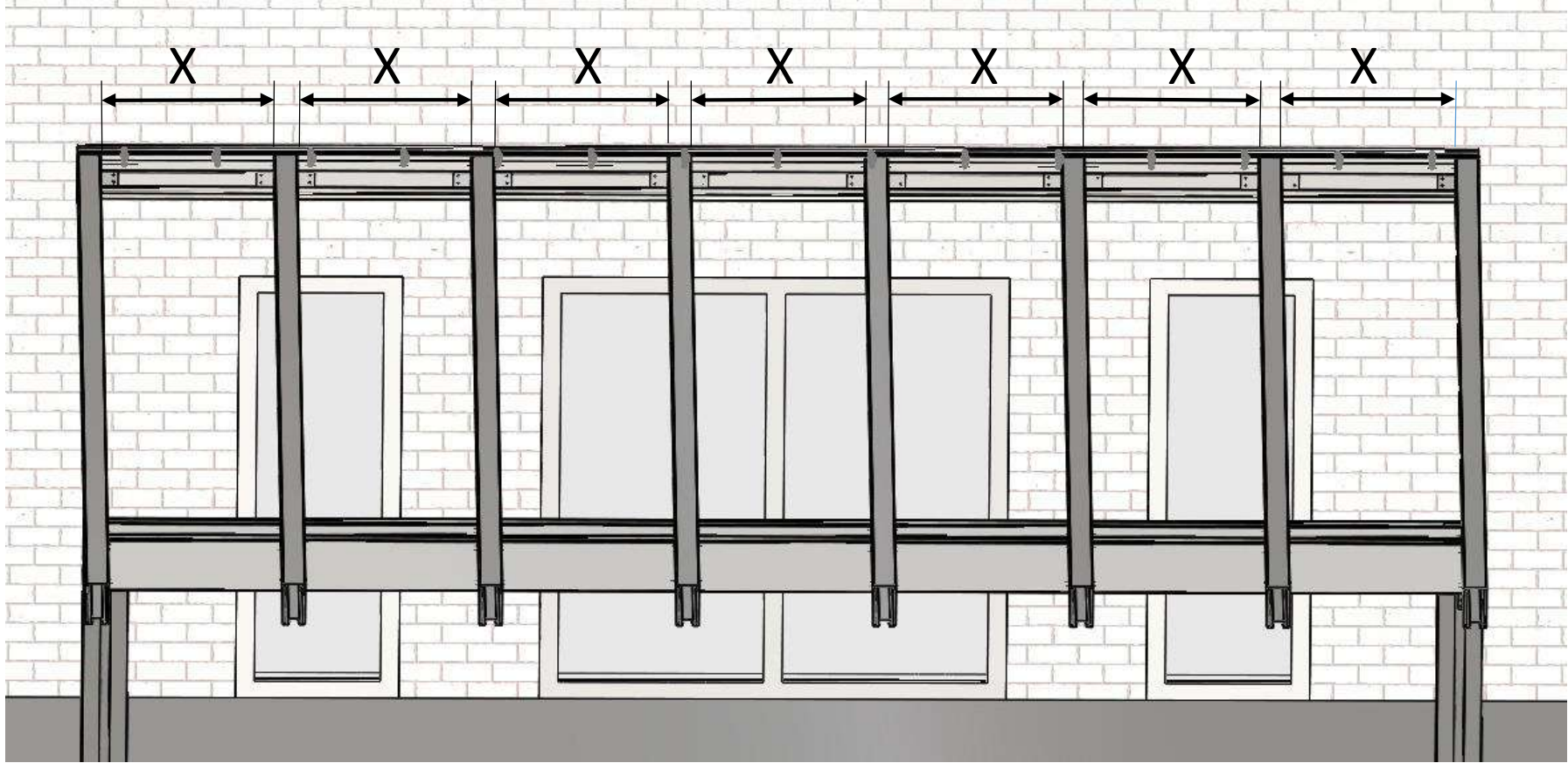
12 x



36 x

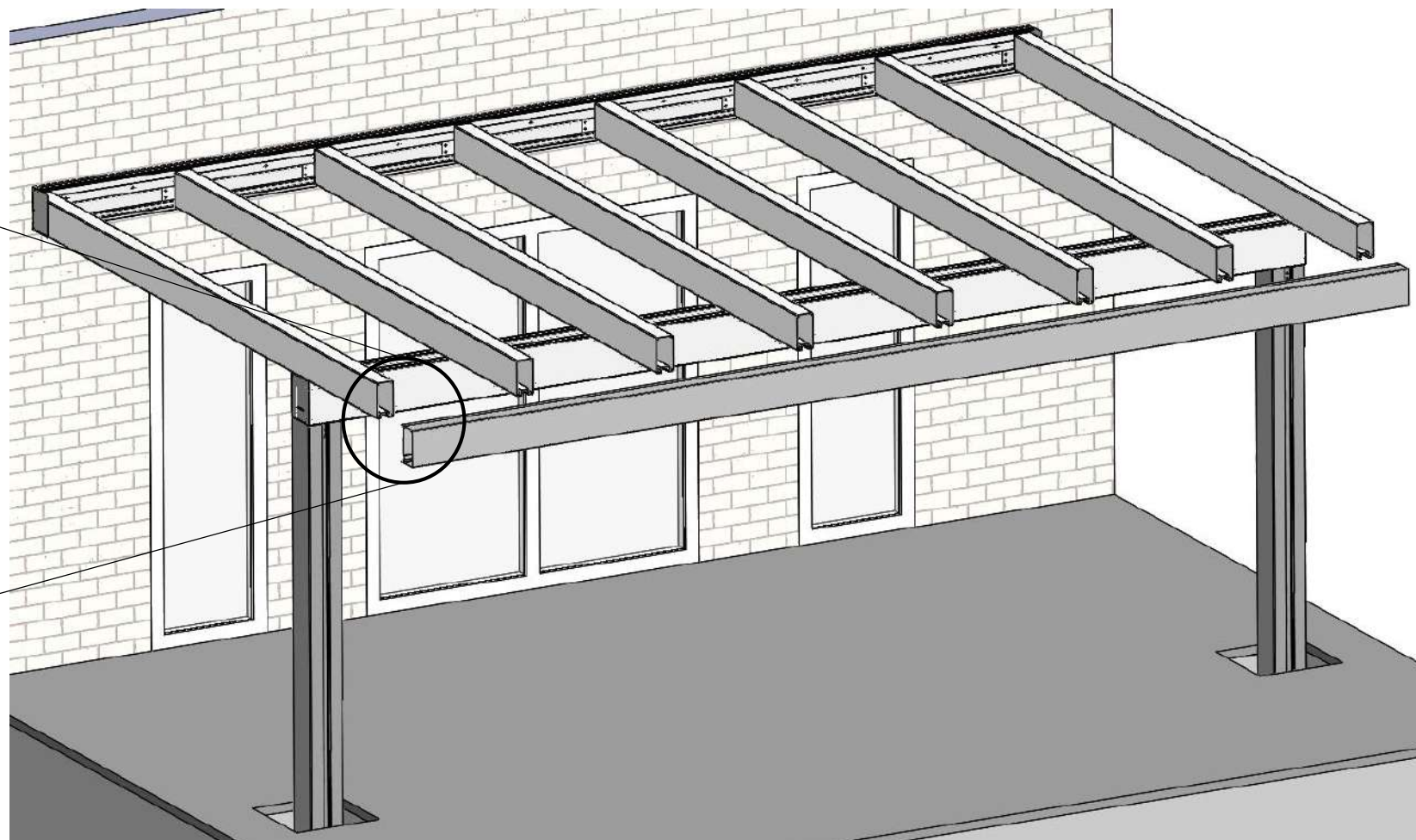
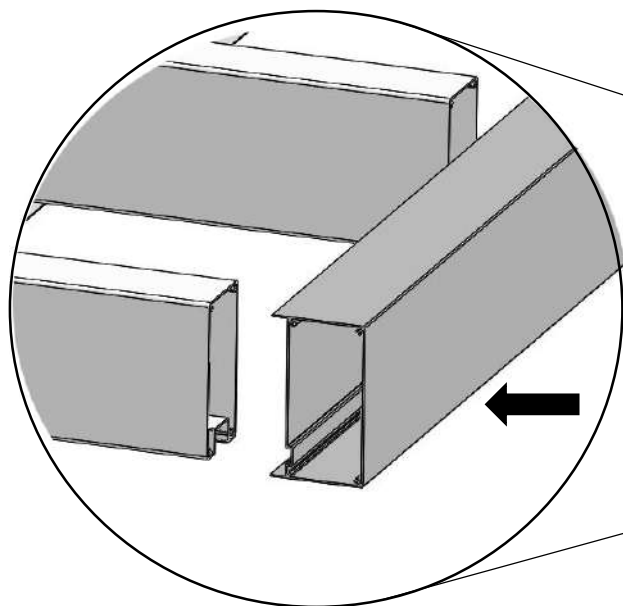
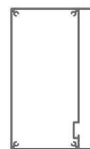
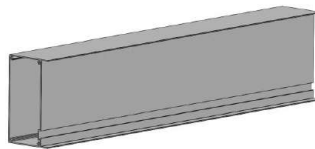






43

1 x AL10019

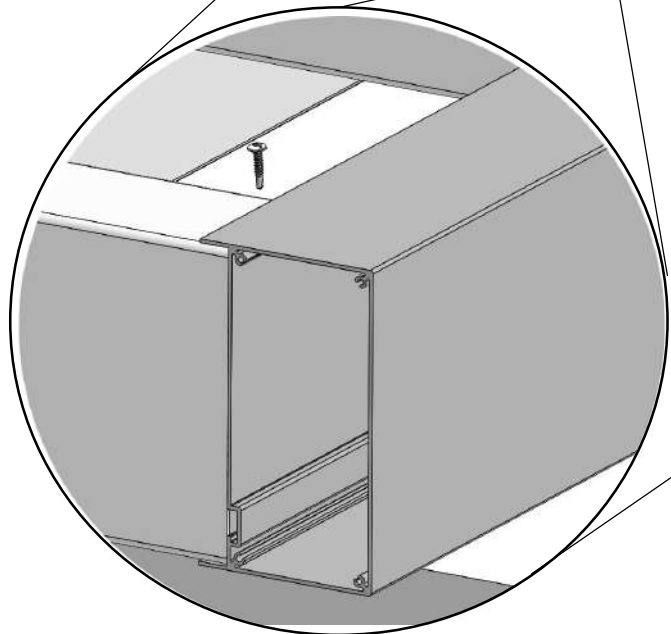
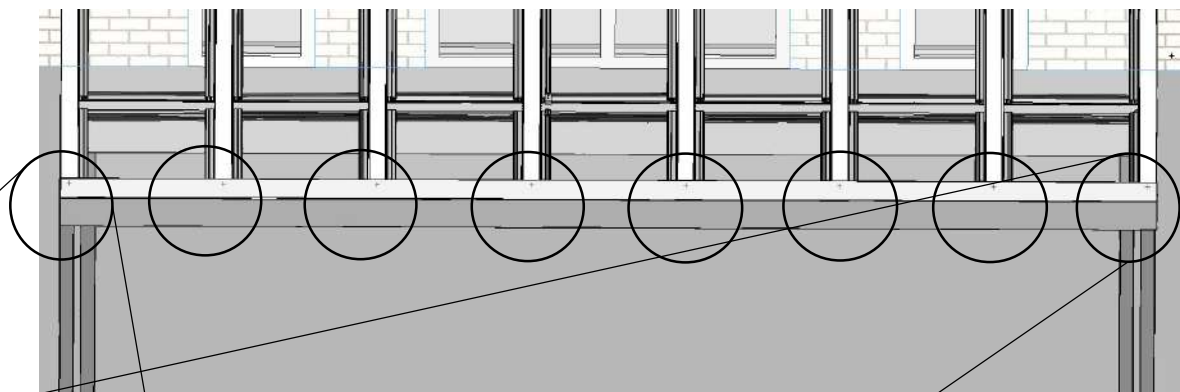


44

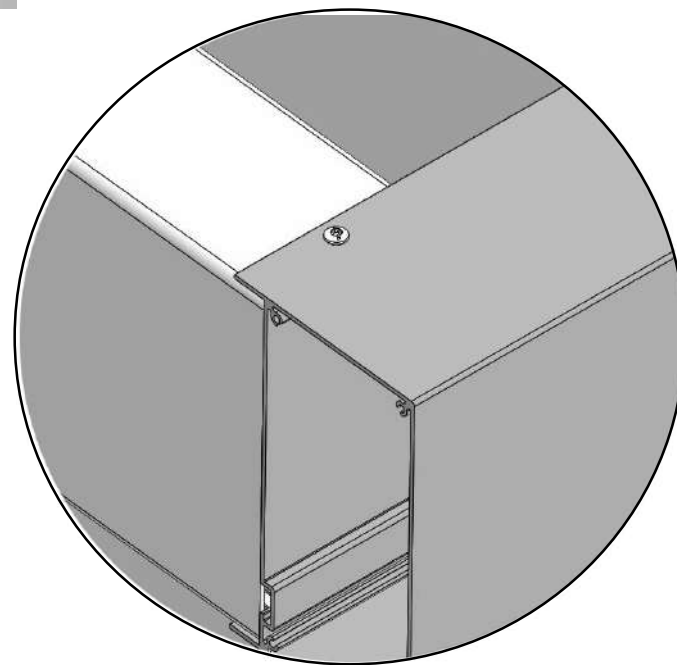
N x



0303 BI 5,5 x 25



N x



45

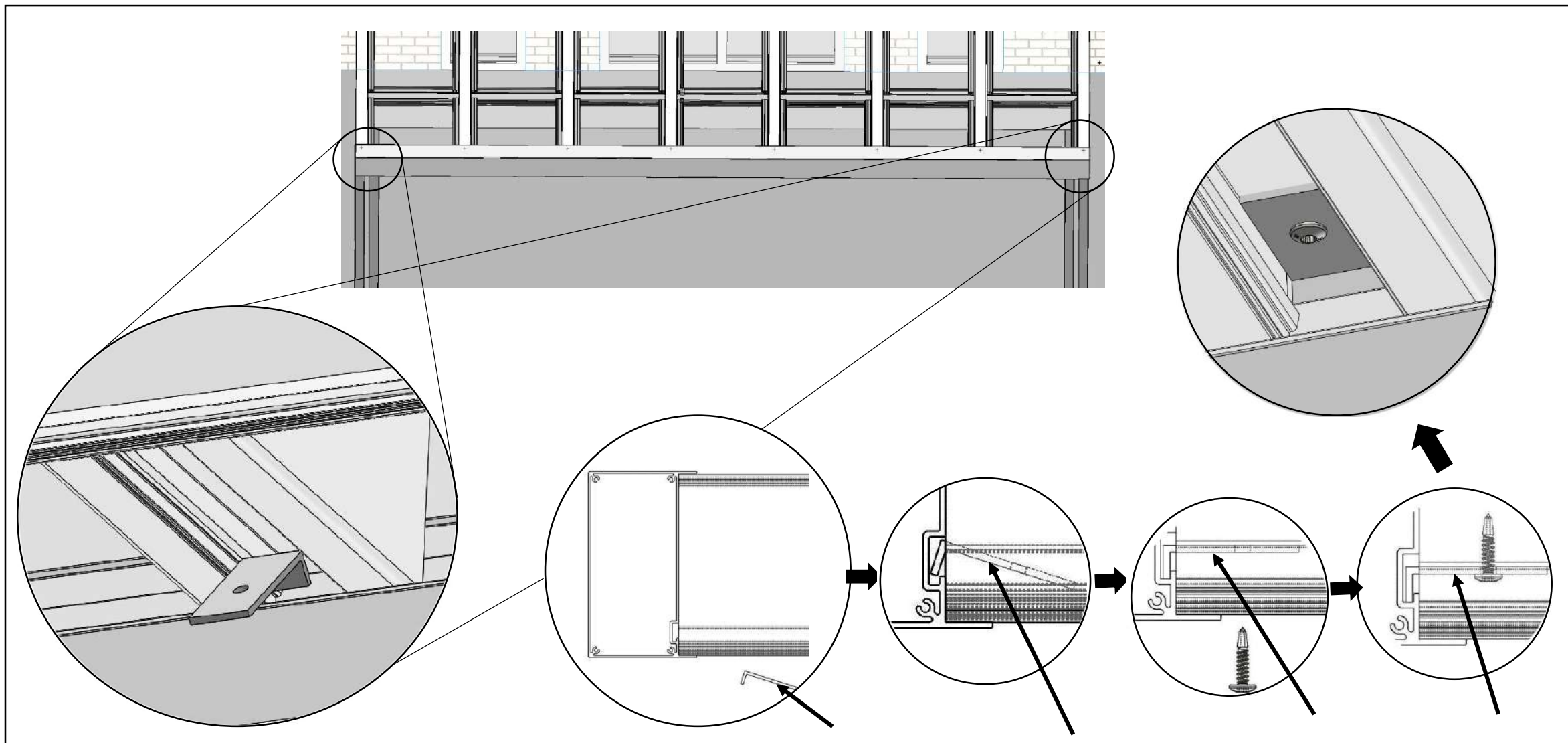
N x



0303 BI 5,5 x 25



N x AL10017 + N x 0303 BI 5,5 x 25

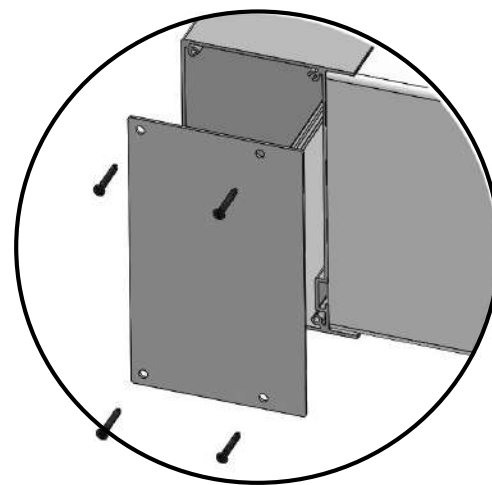
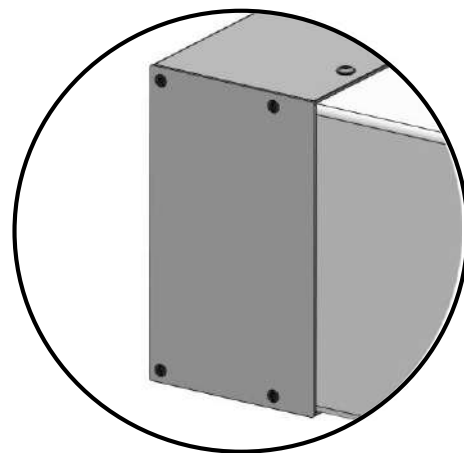
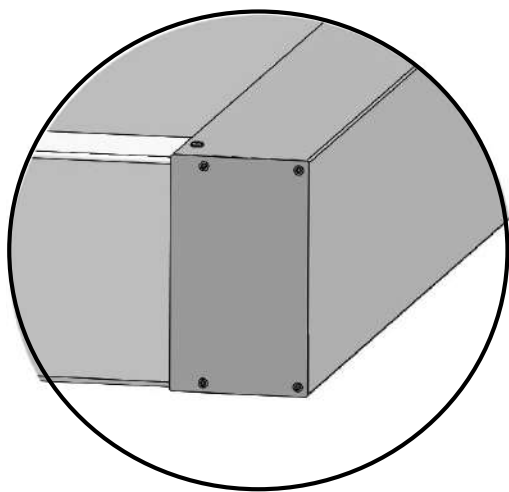
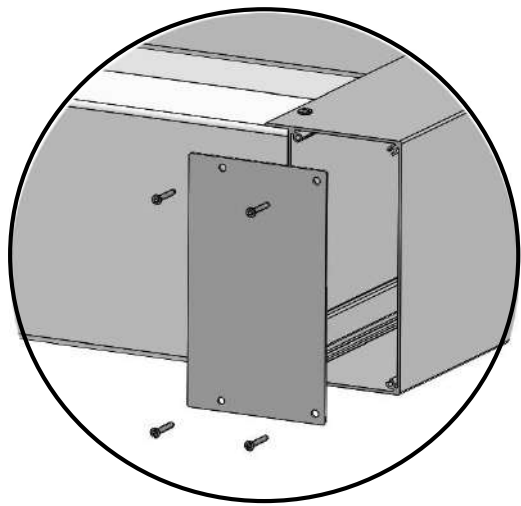


46

8 x

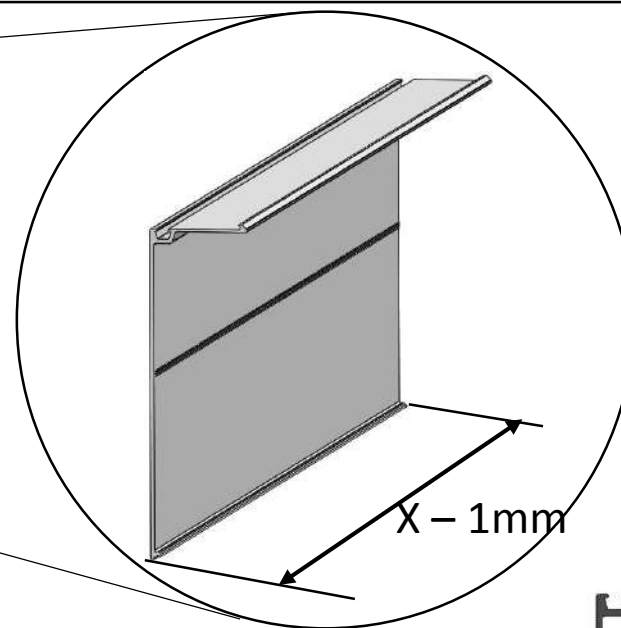
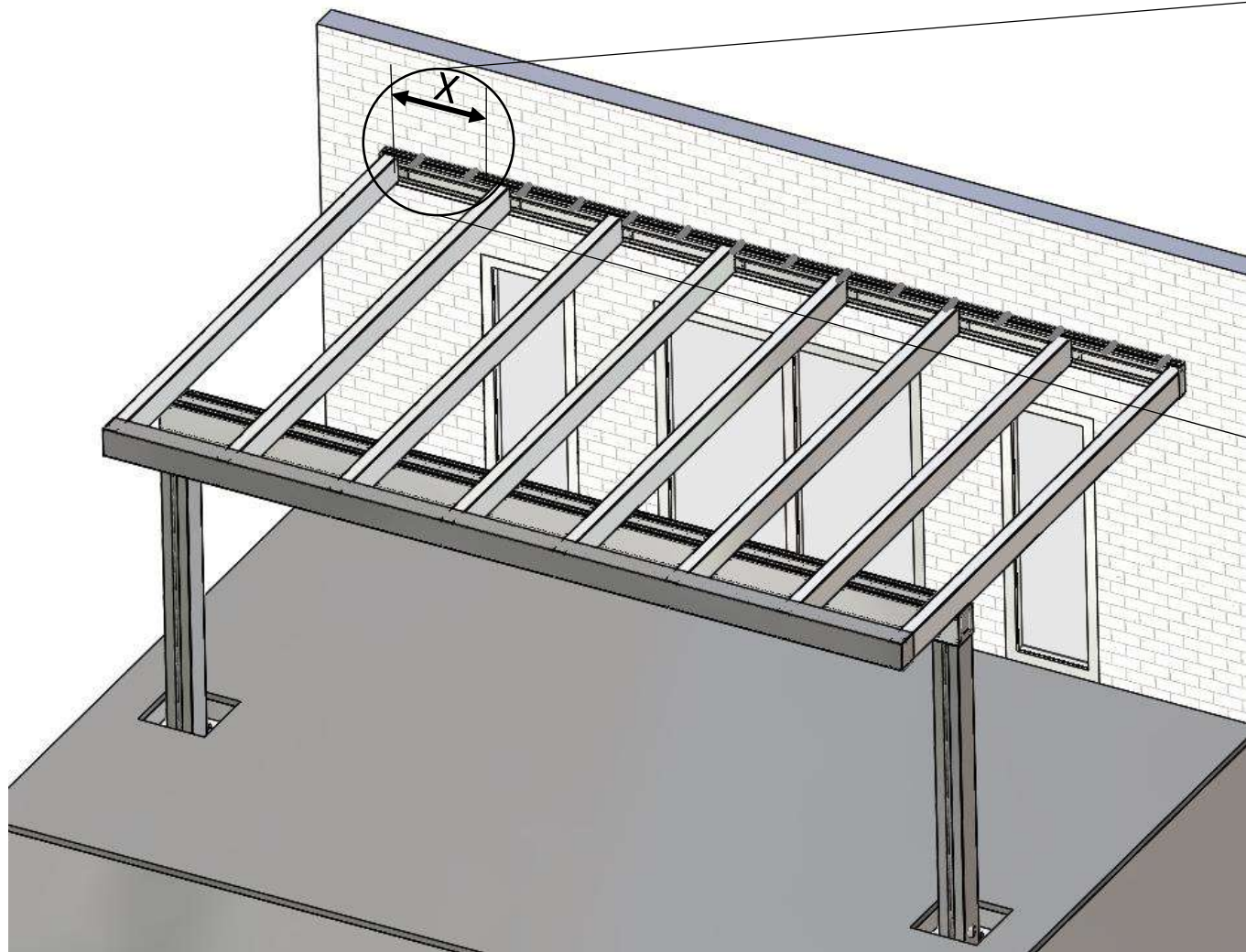
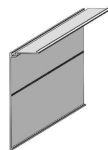


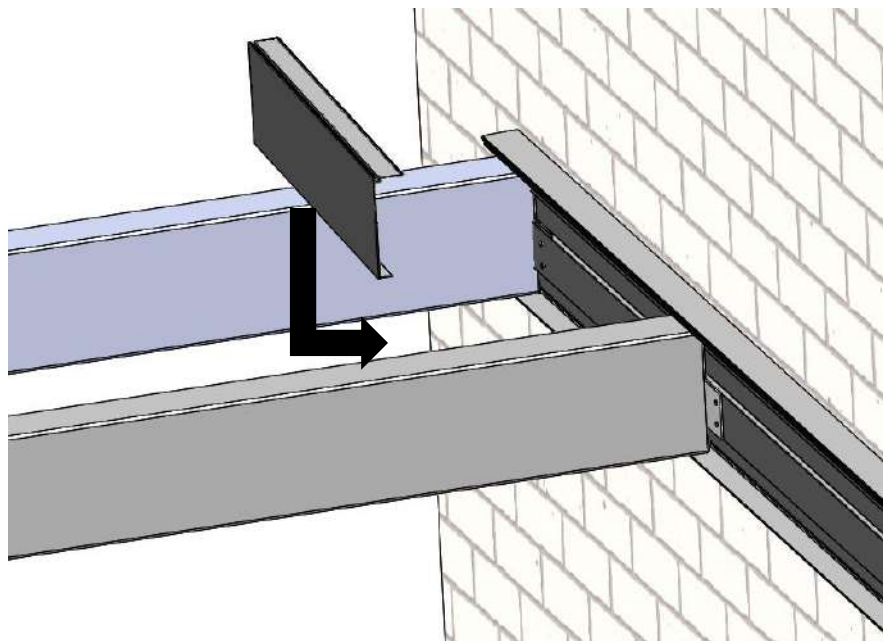
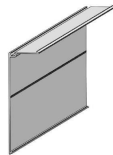
2 x UL-01



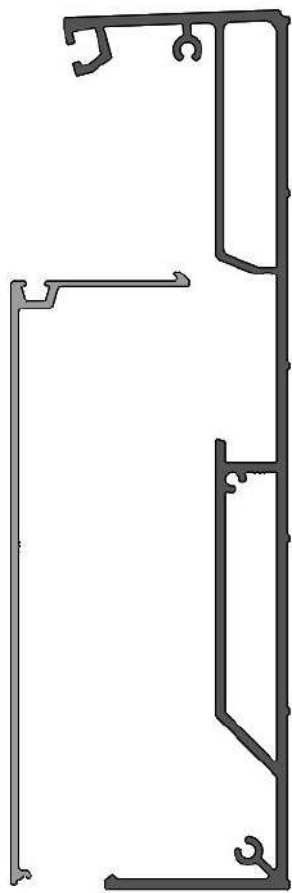
47

AL10004

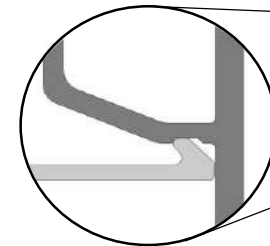




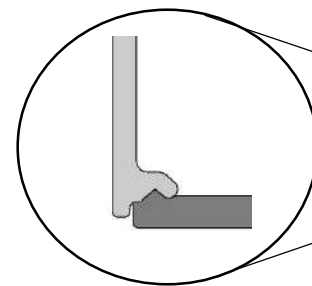
AL10004

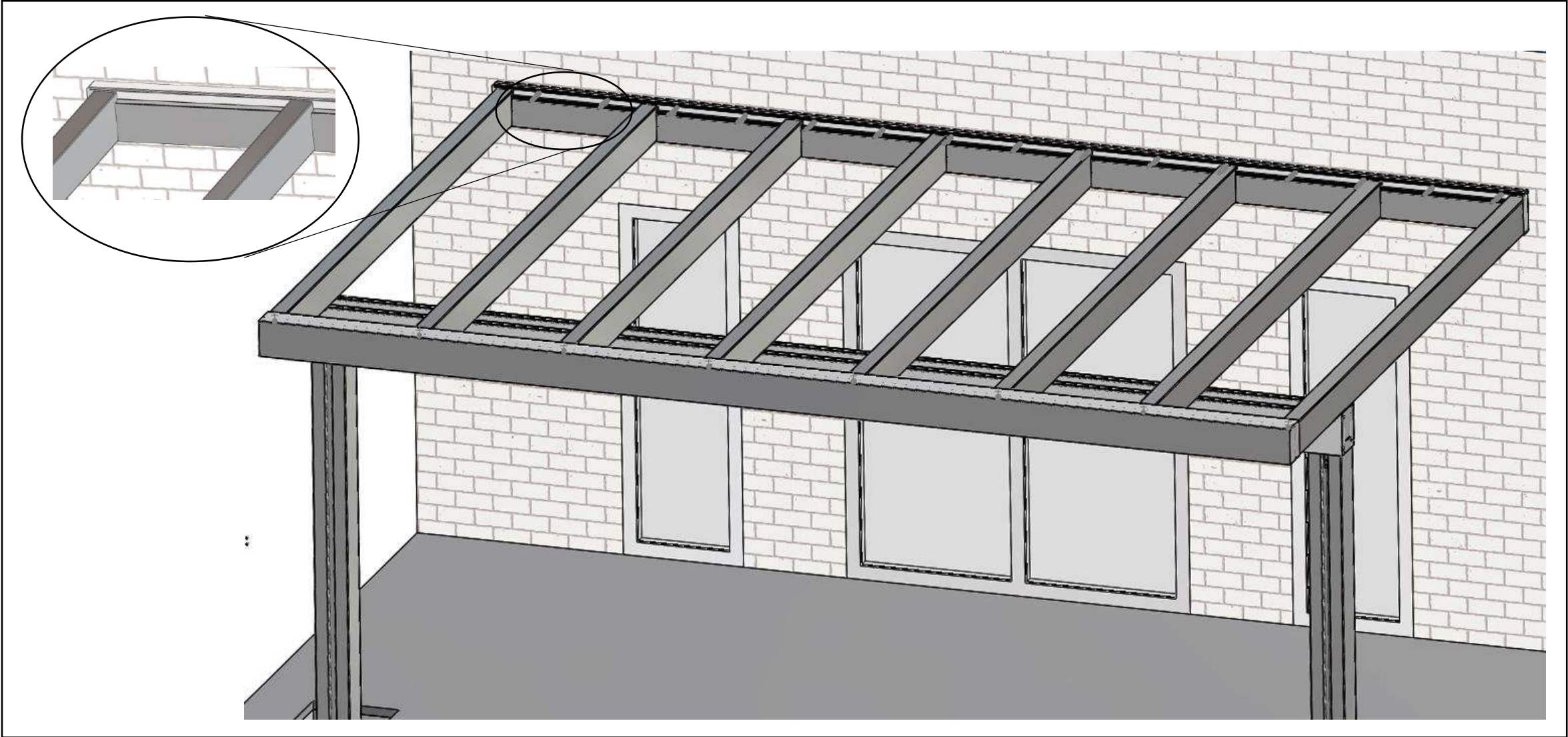


AL10006



AL10004





50

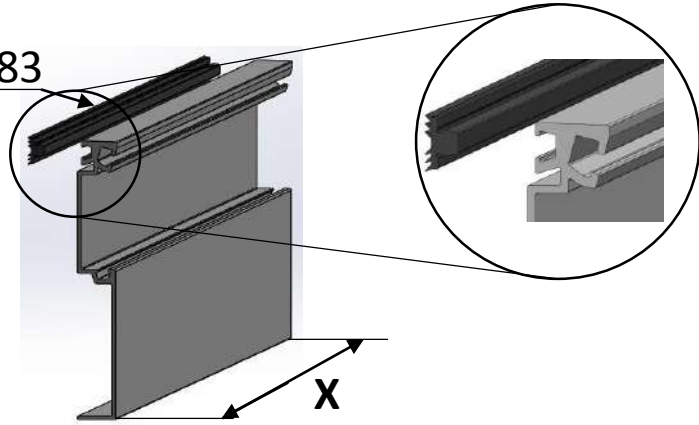


AL10018

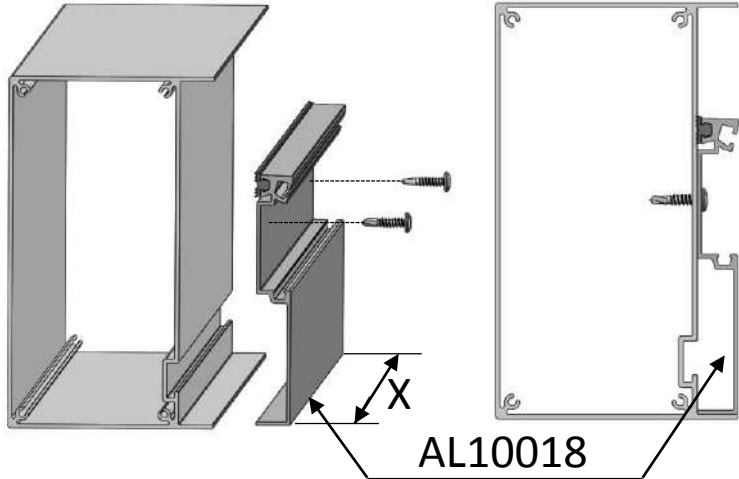


S11183

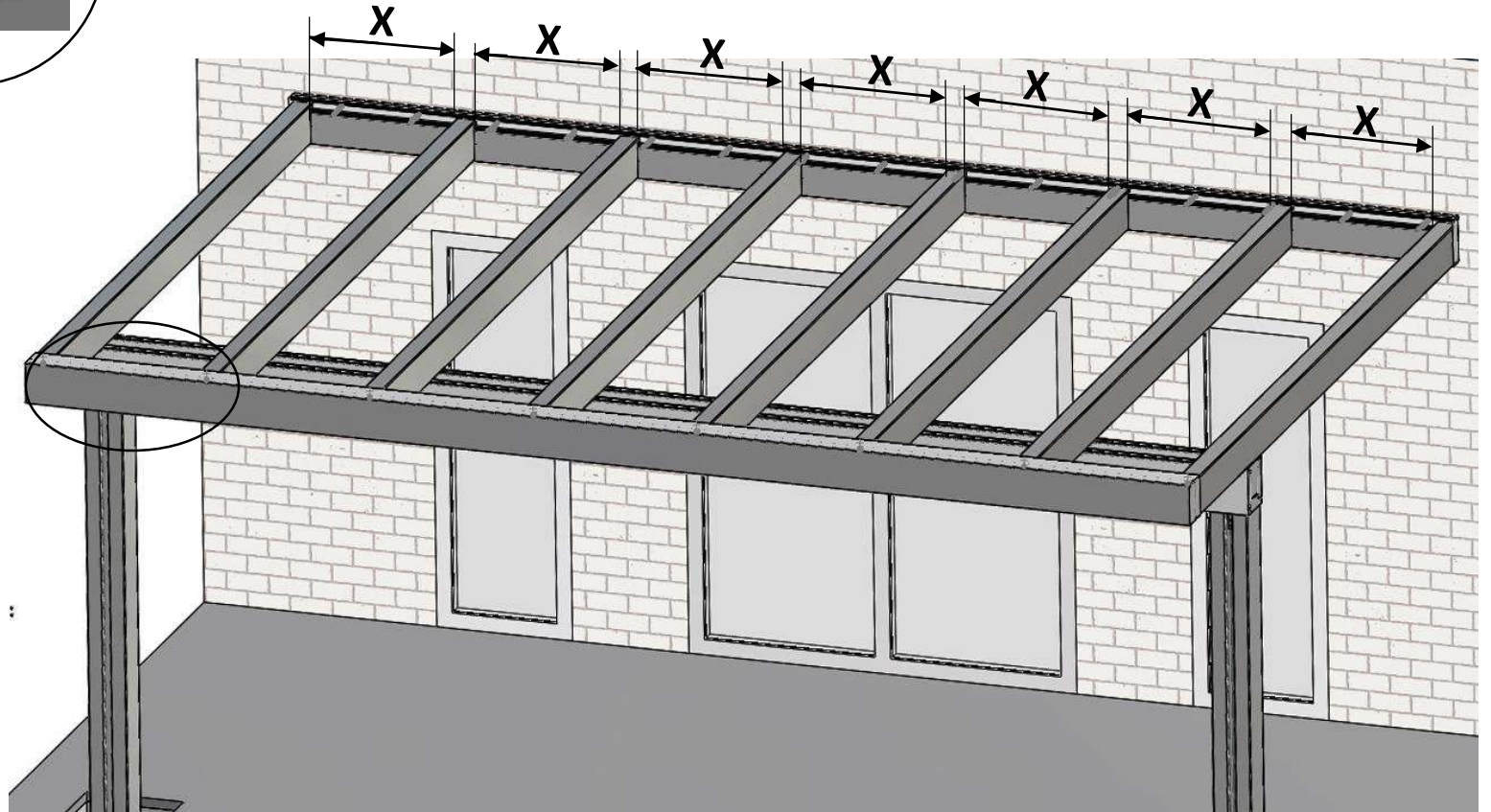
S11183



AL10019

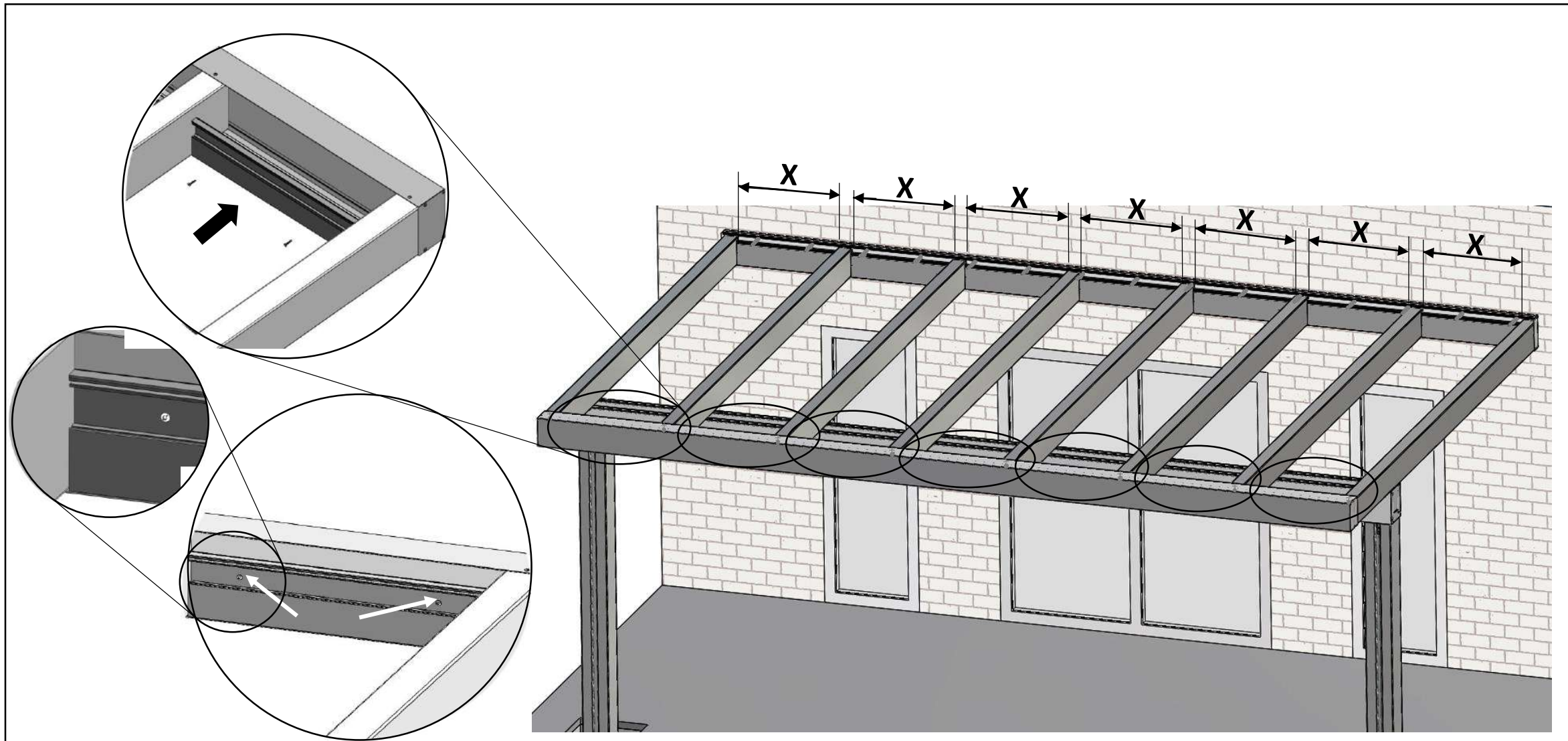


AL10018



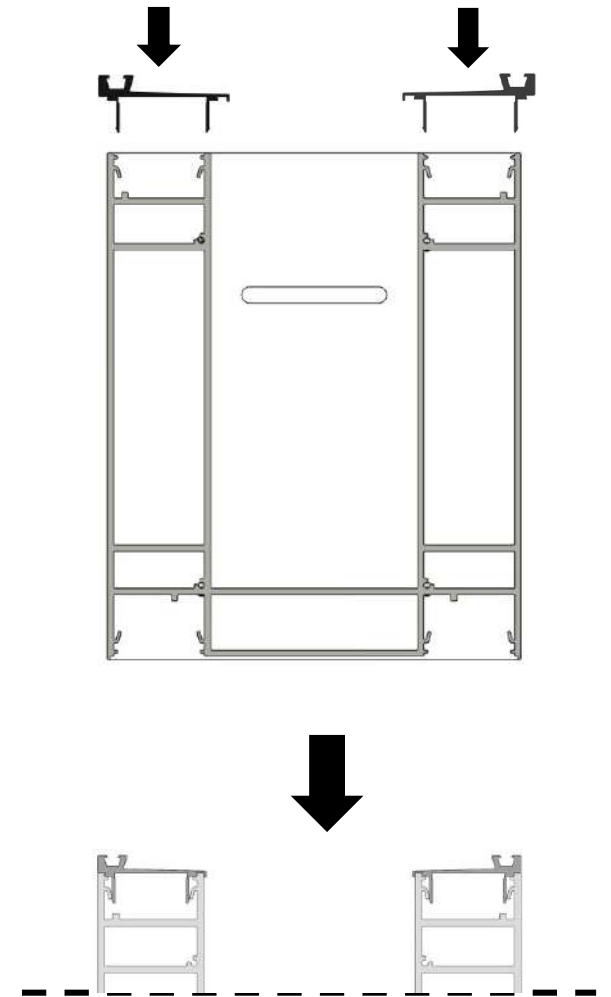
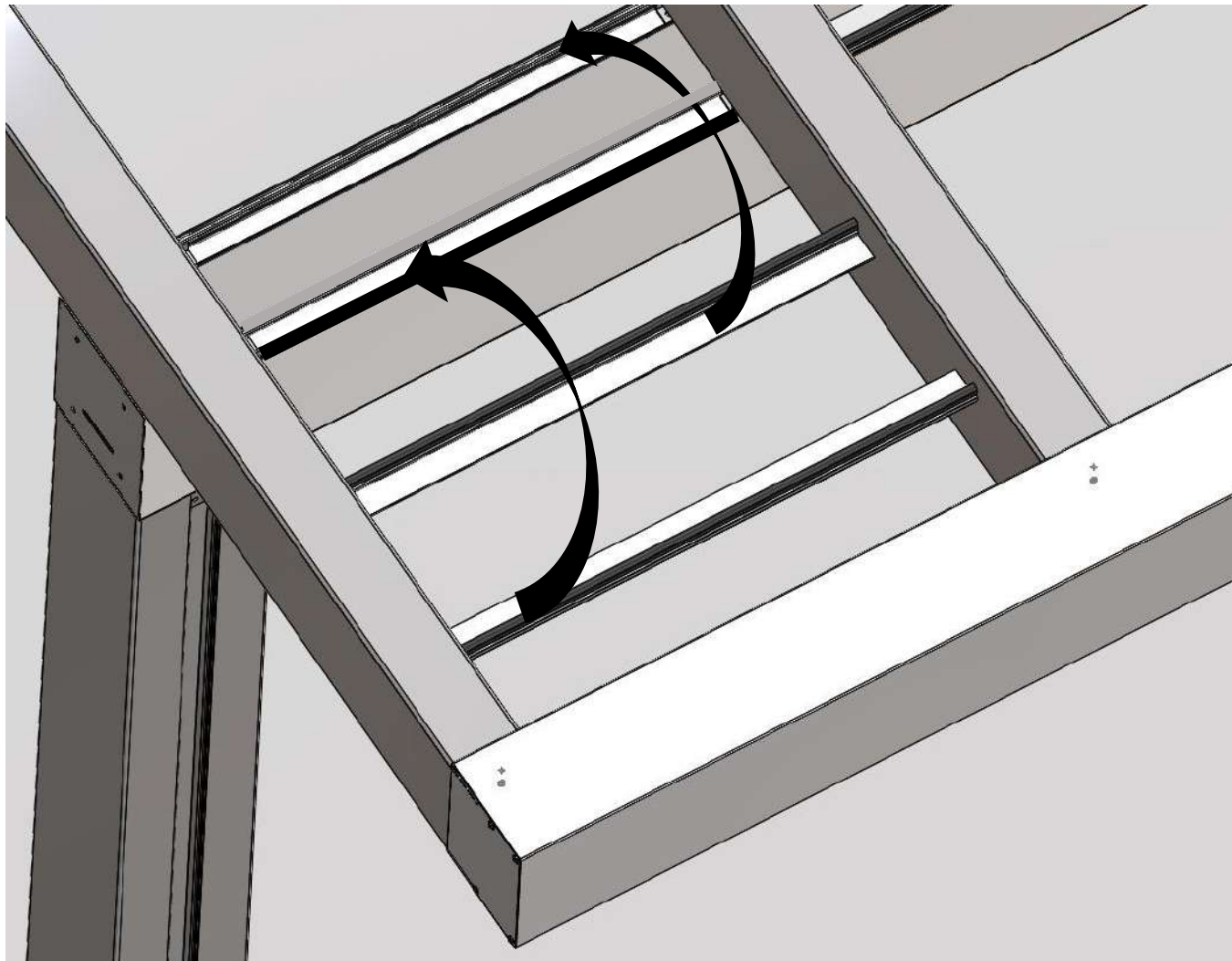
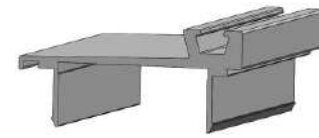
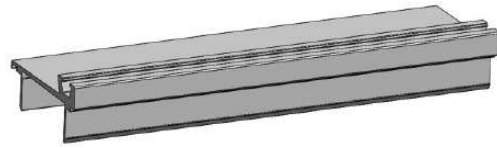
51

N x 2 x 0303 BI 5.5 x 25



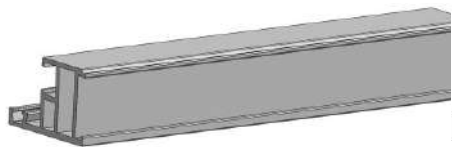
52

14x AL10011



53

2 x AL1012



2 x

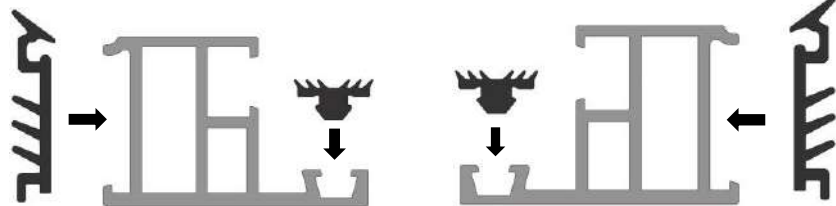


2 x



L

R



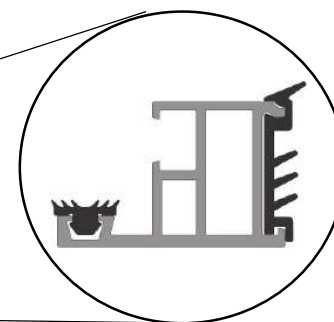
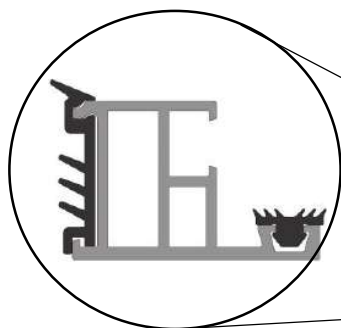
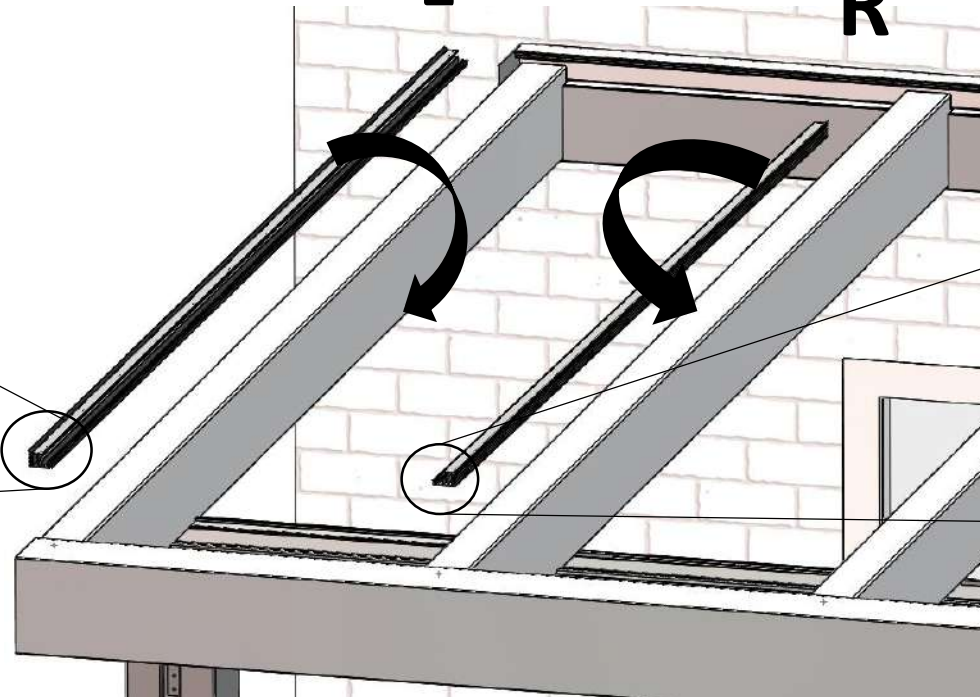
L

R



L

R

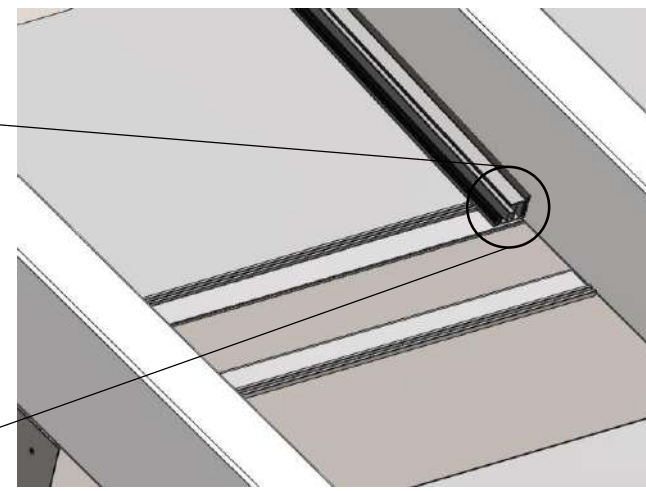
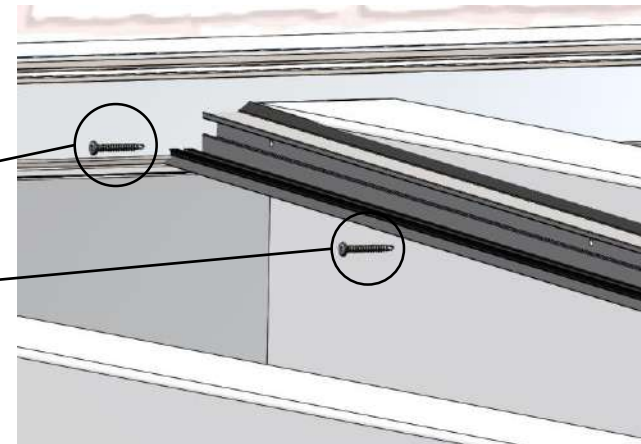
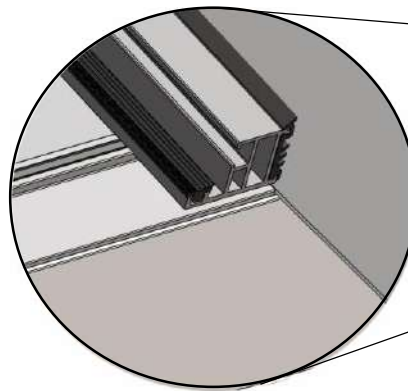
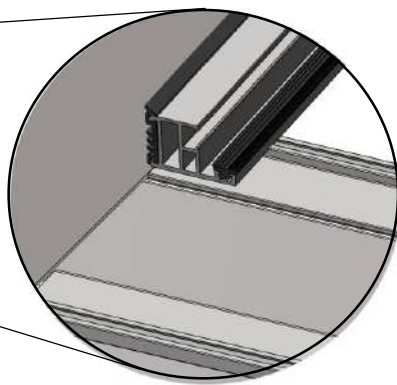
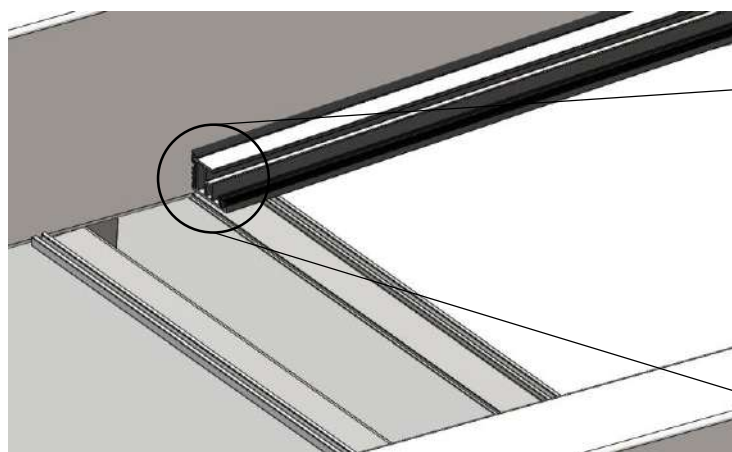
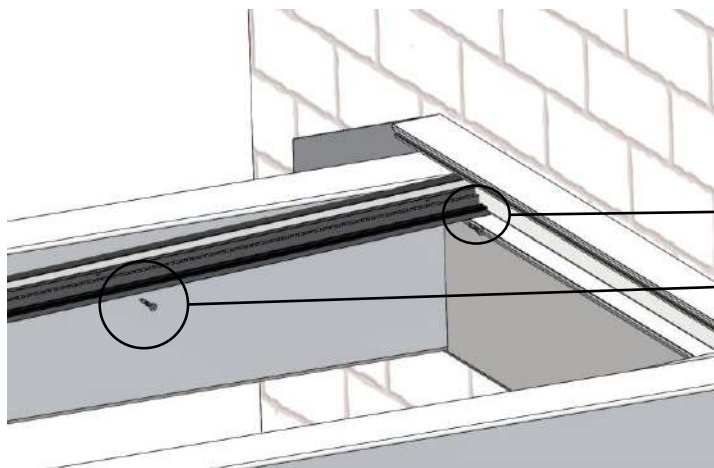


54

2 x AL10012



16 x 0385 SA 5,5 x 32

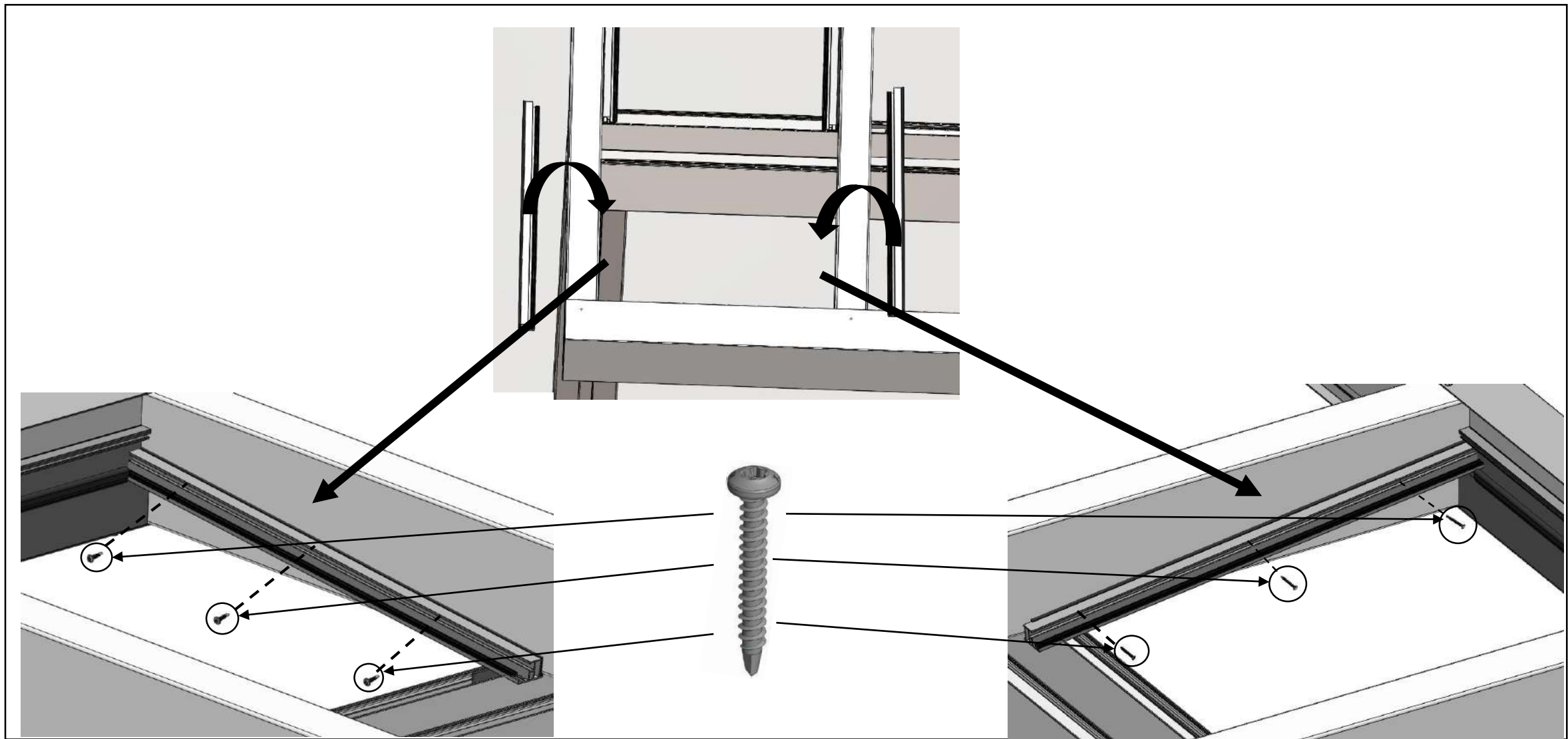


55

2 x AL1012

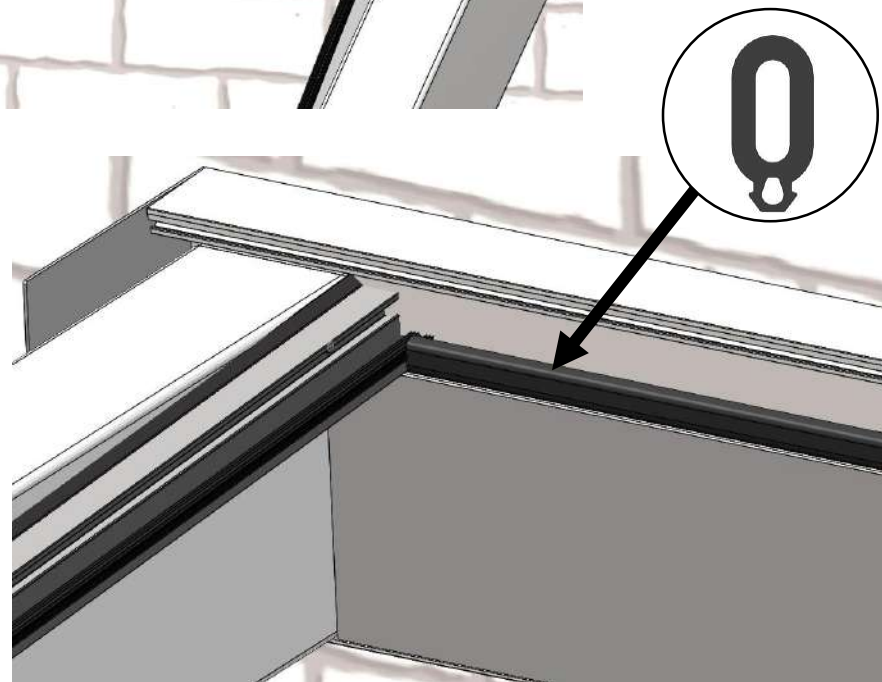
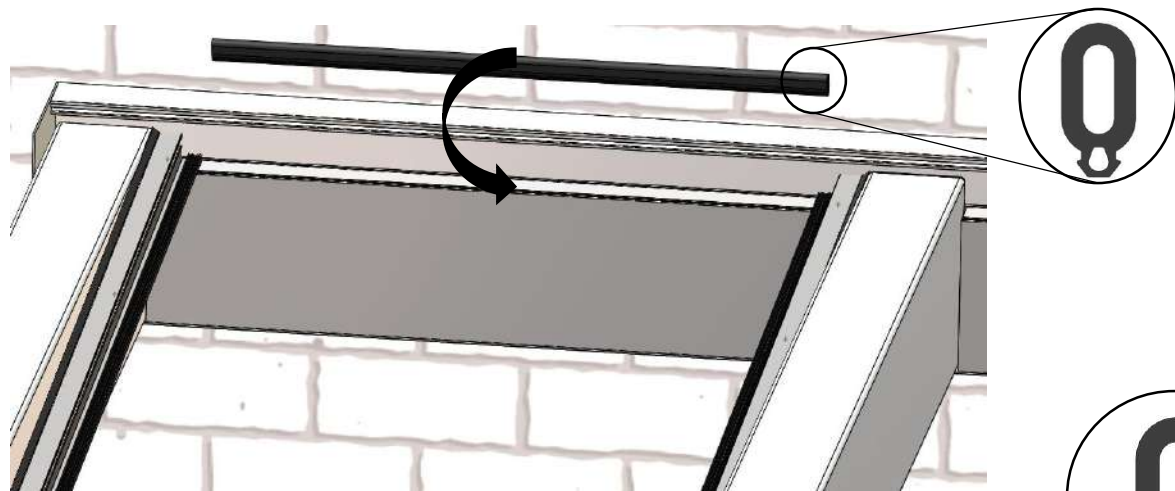
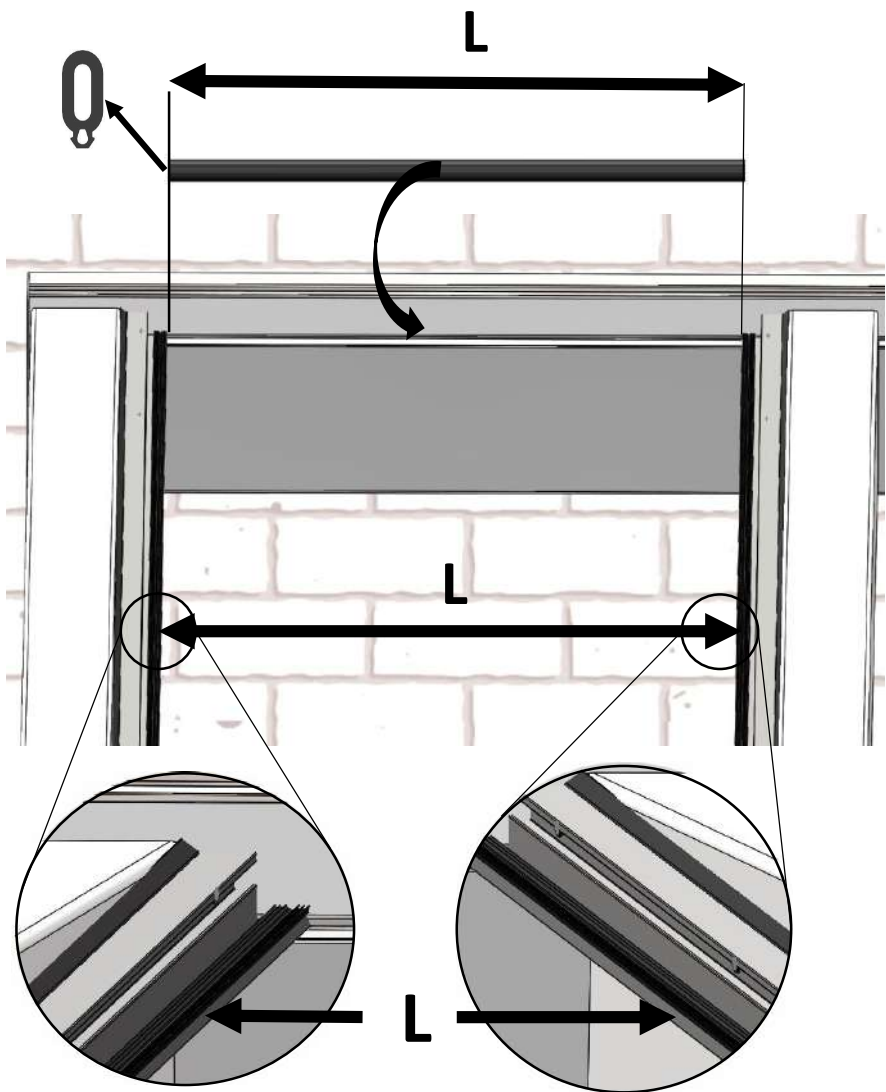


6 x 0385 SA 5,5 x 32



56

1 x

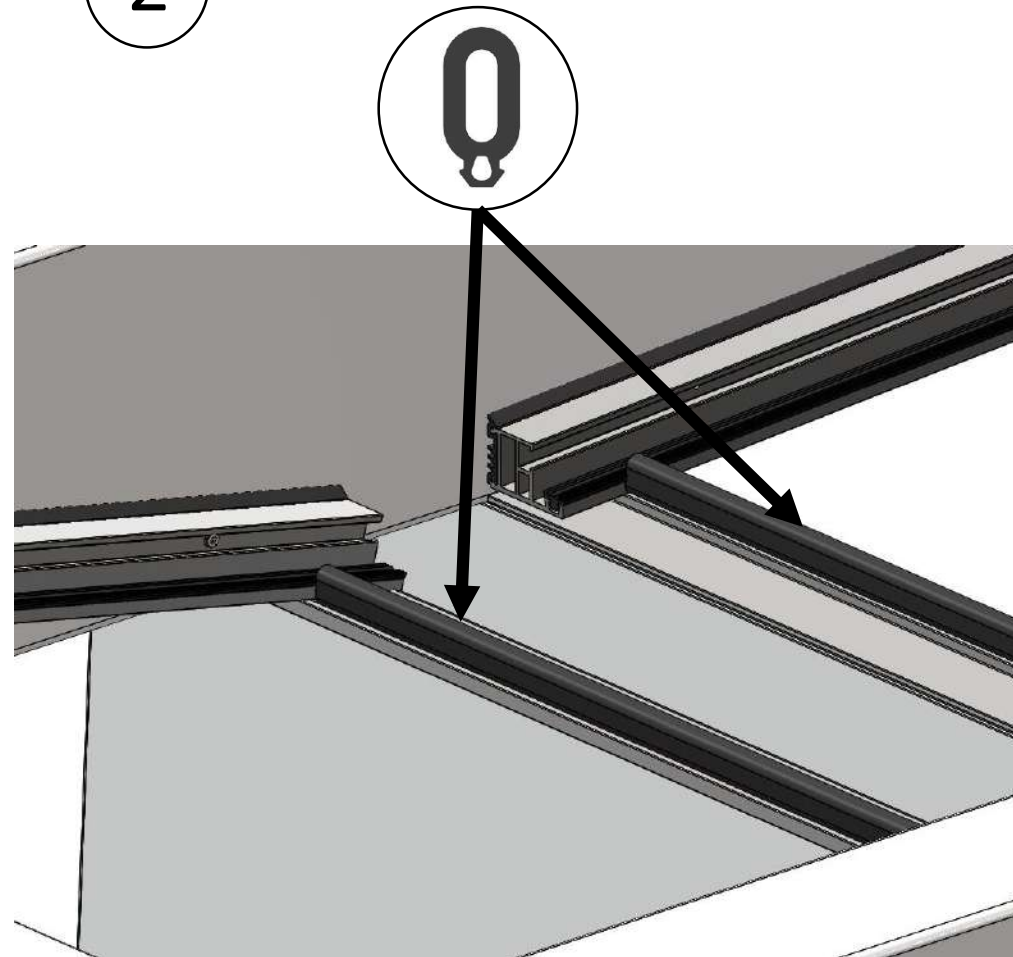
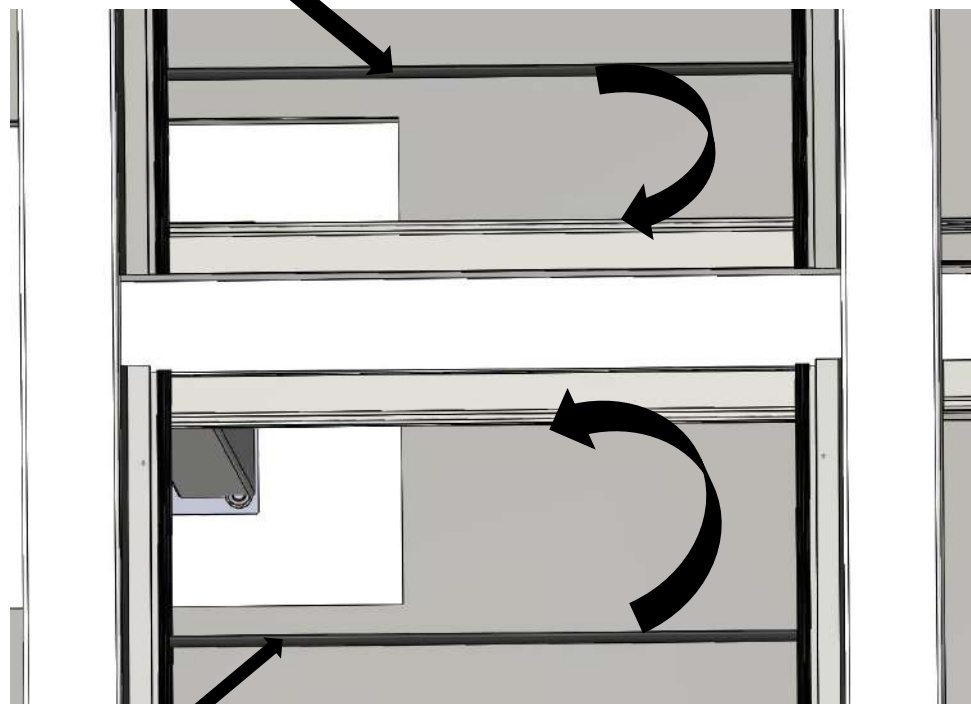


57

2 x

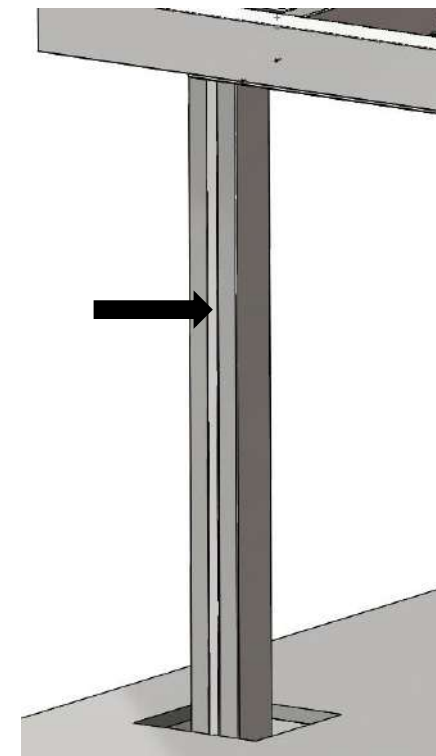
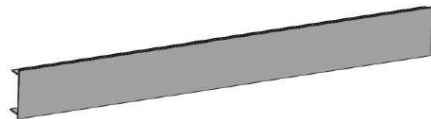


L



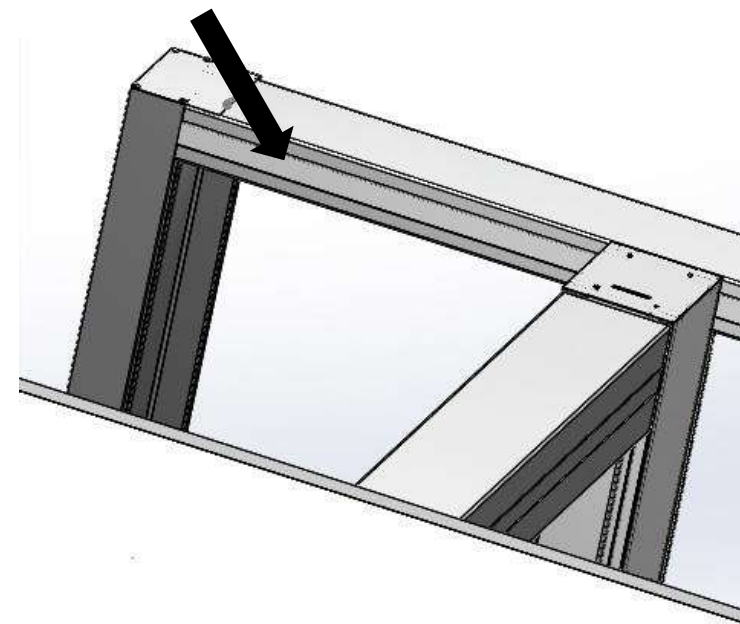
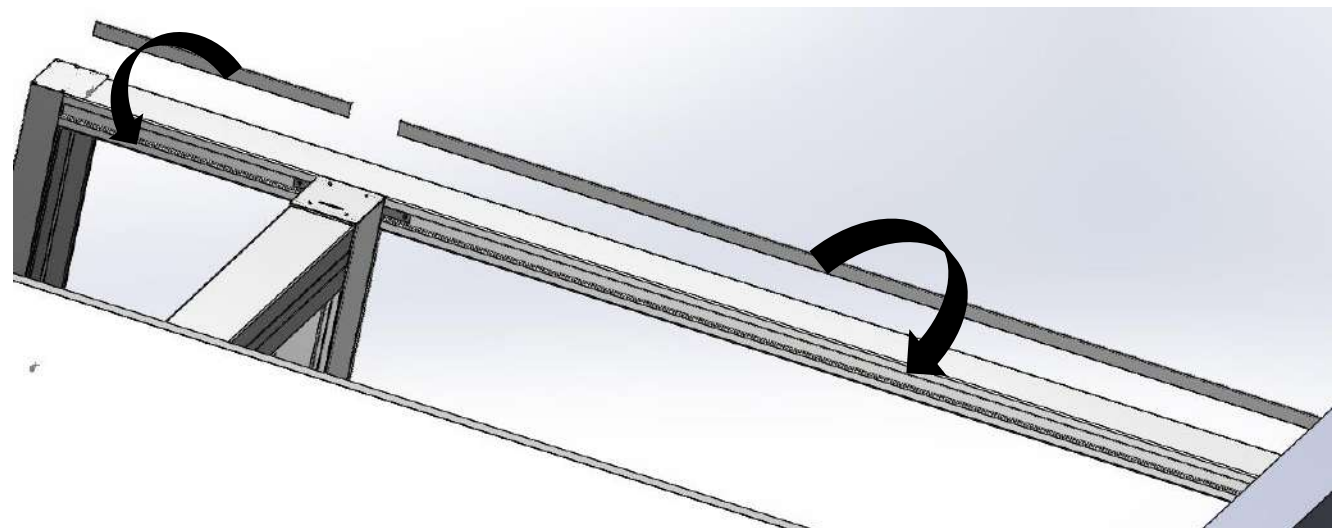
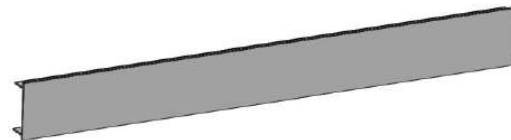
58

4 x AL10007



59

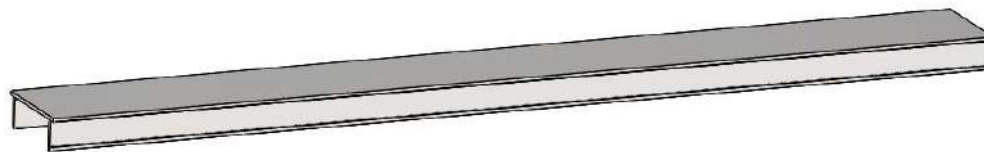
N x AL10007



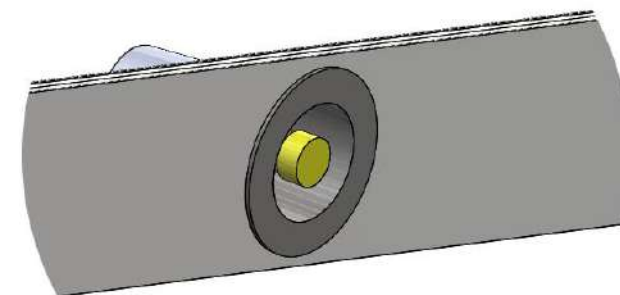
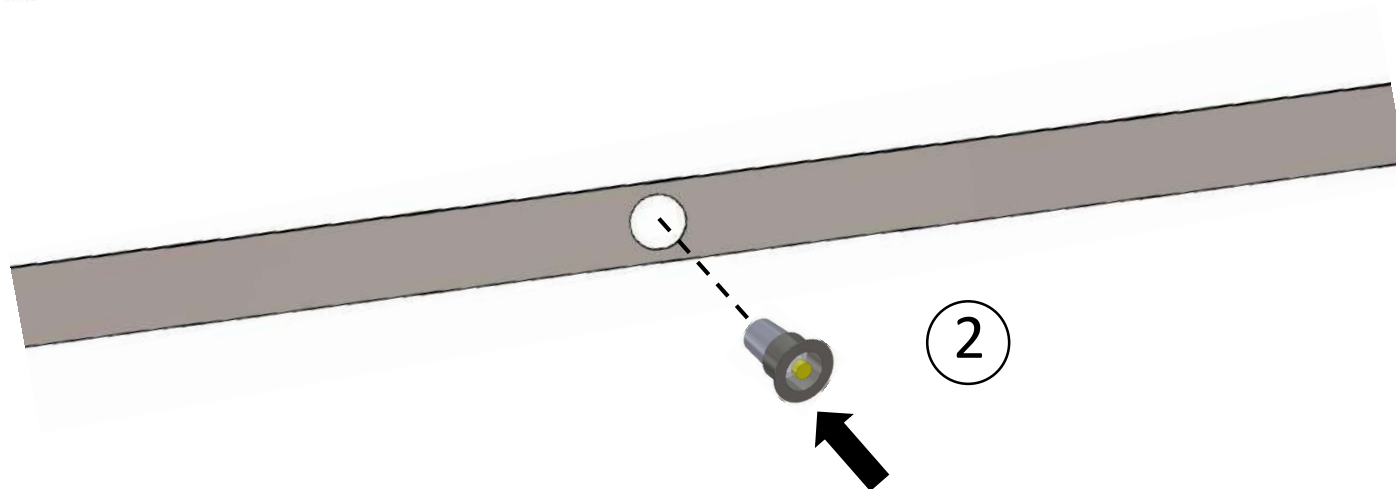
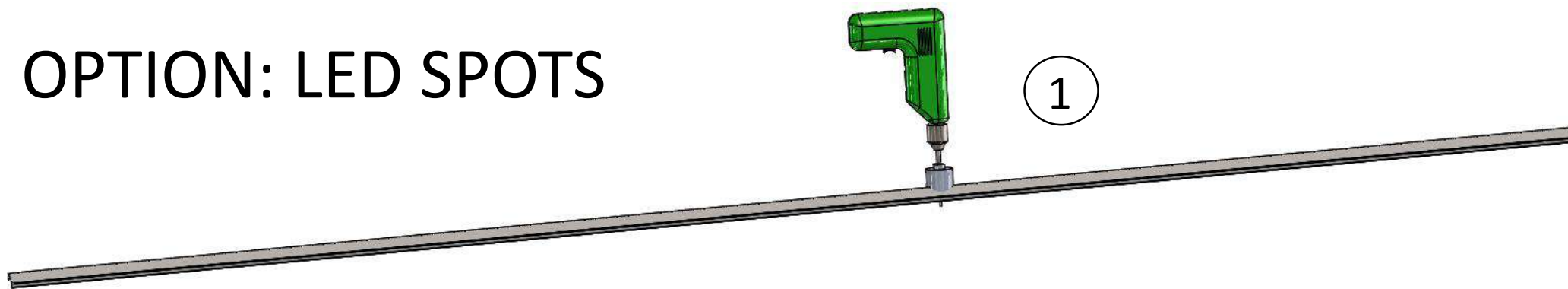
N x

60

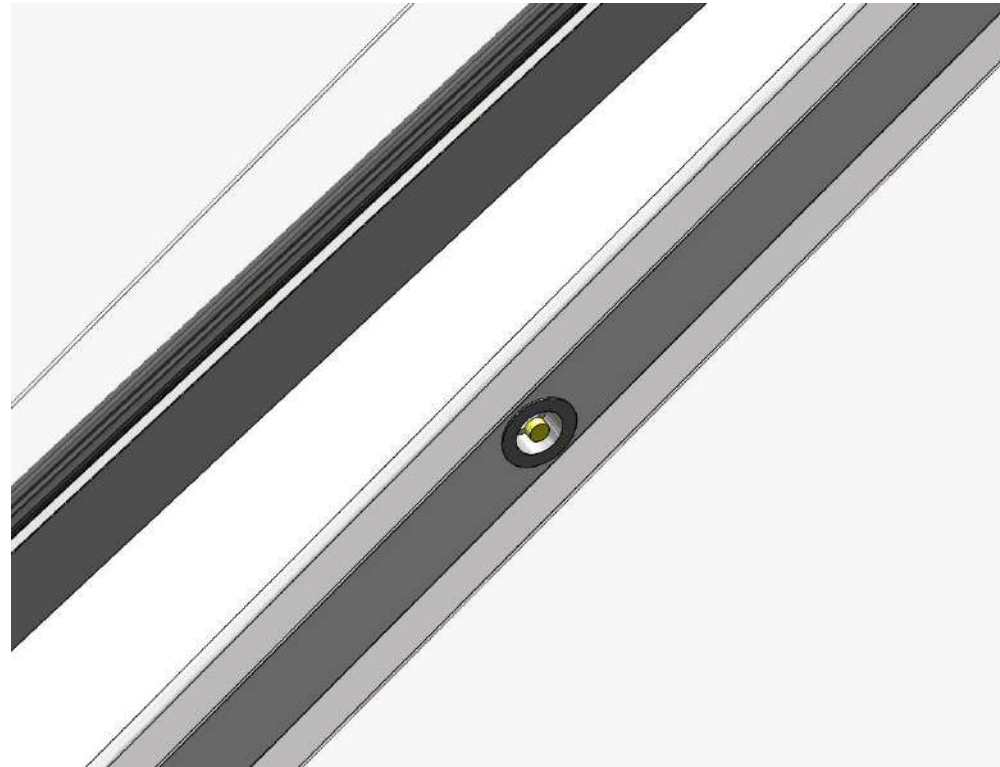
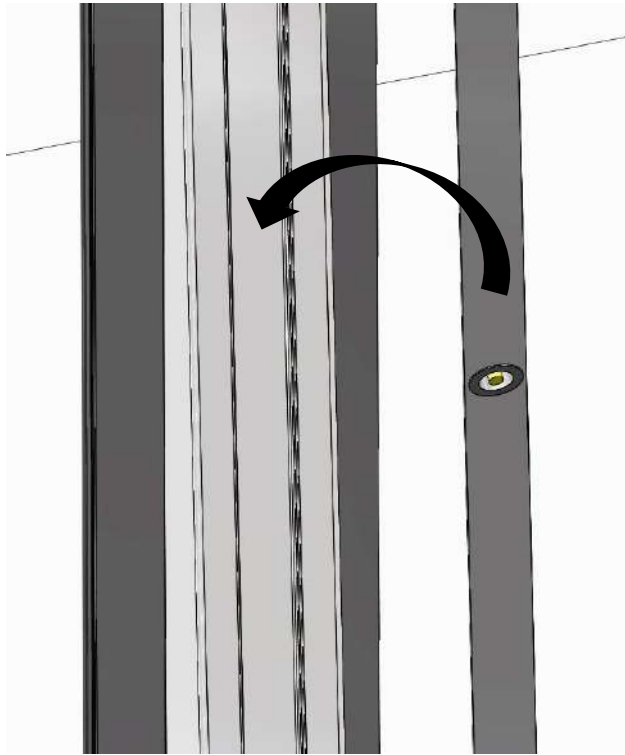
N x AL10007



OPTION: LED SPOTS



OPTION: LED SPOTS

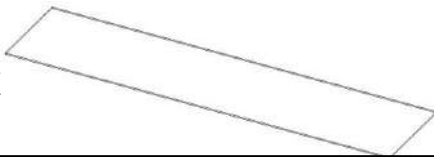


62

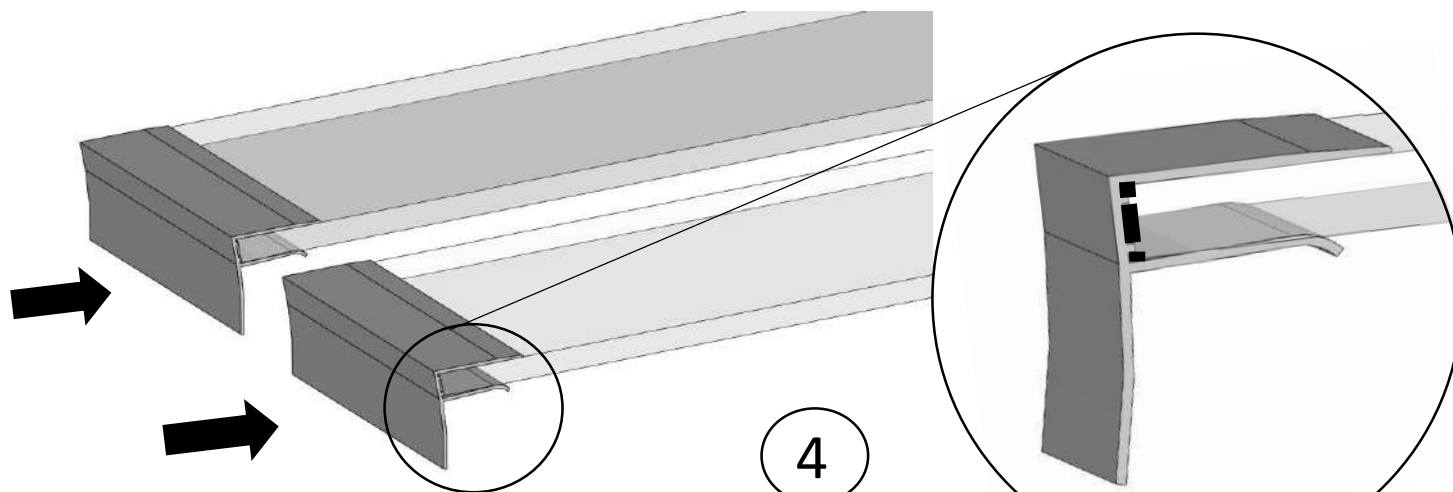
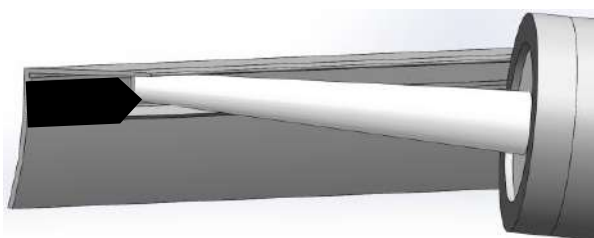
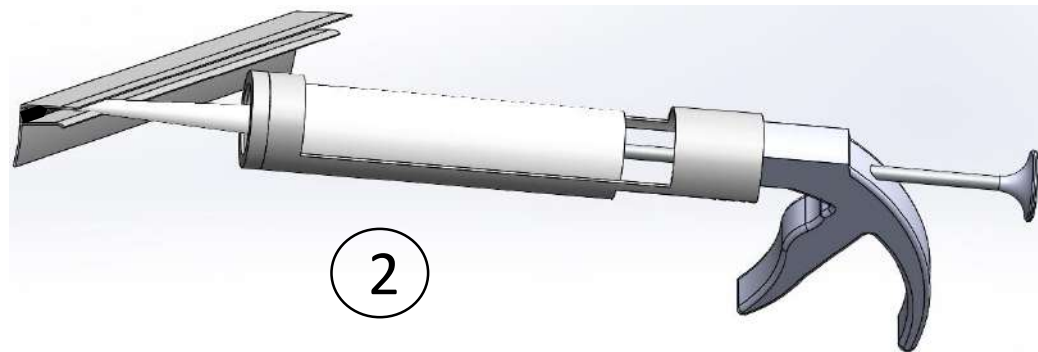
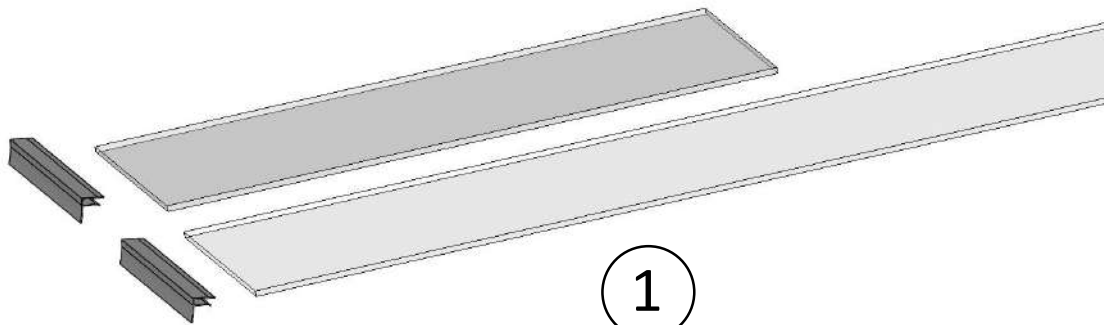
1 x



1 x



2 x AL10016

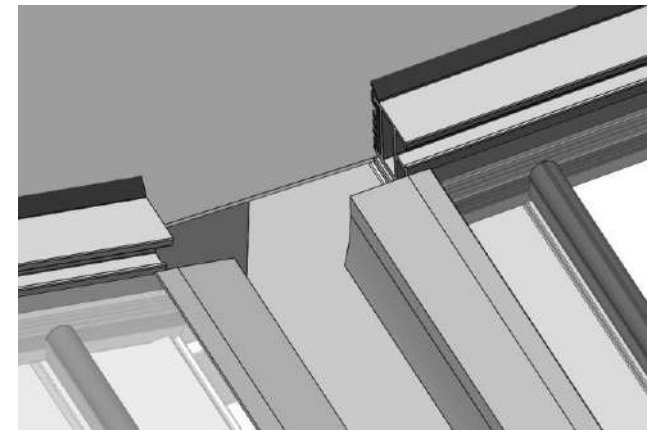
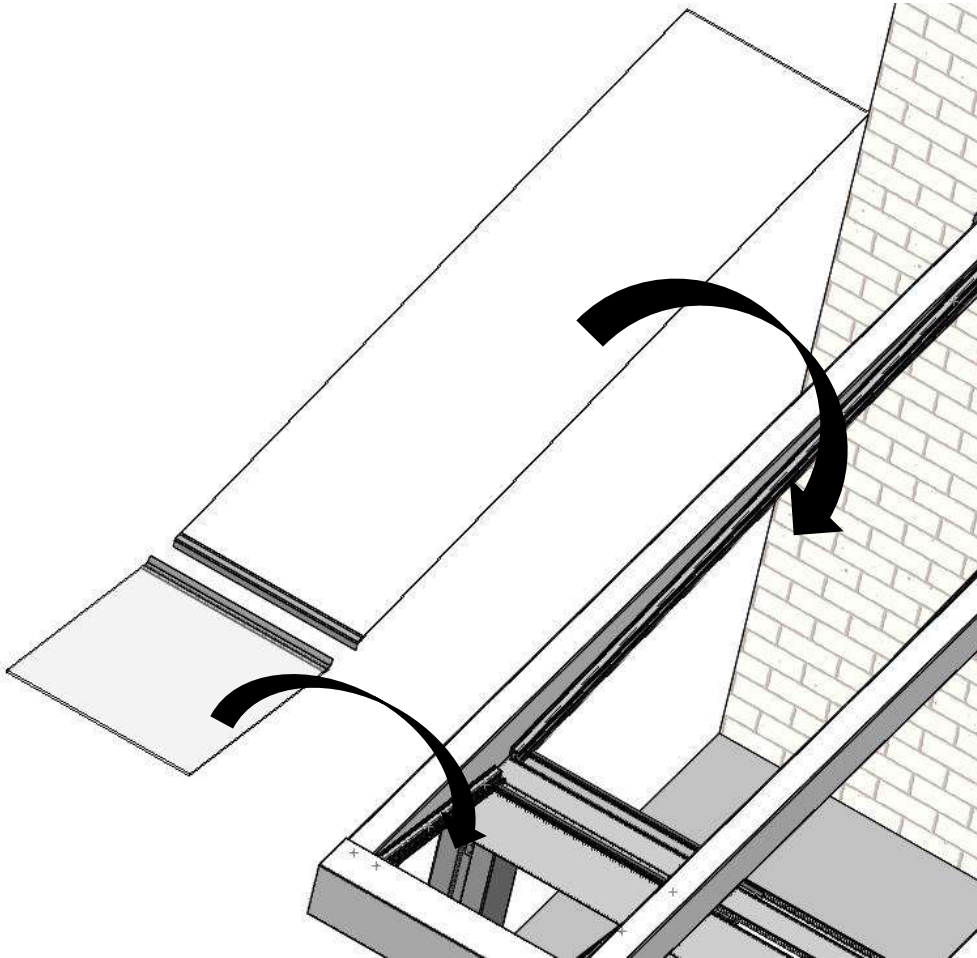
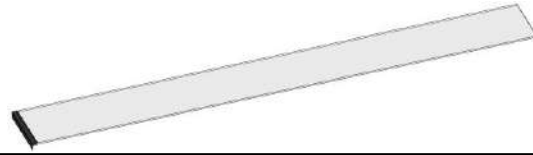


63

1 x



1 x

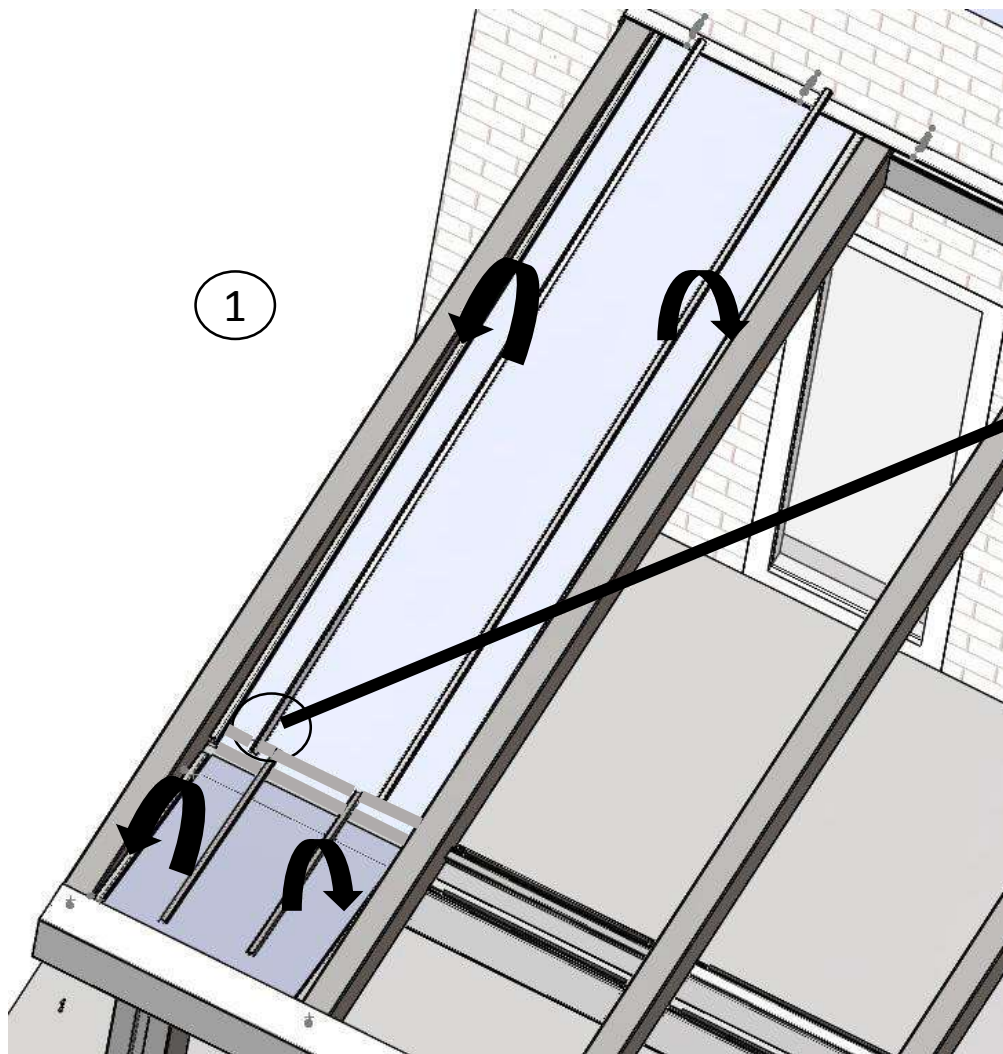


64

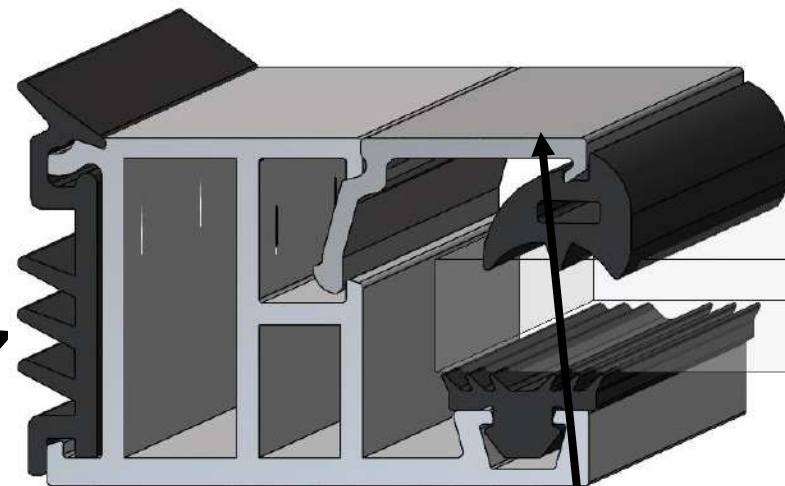
4 x AL10013



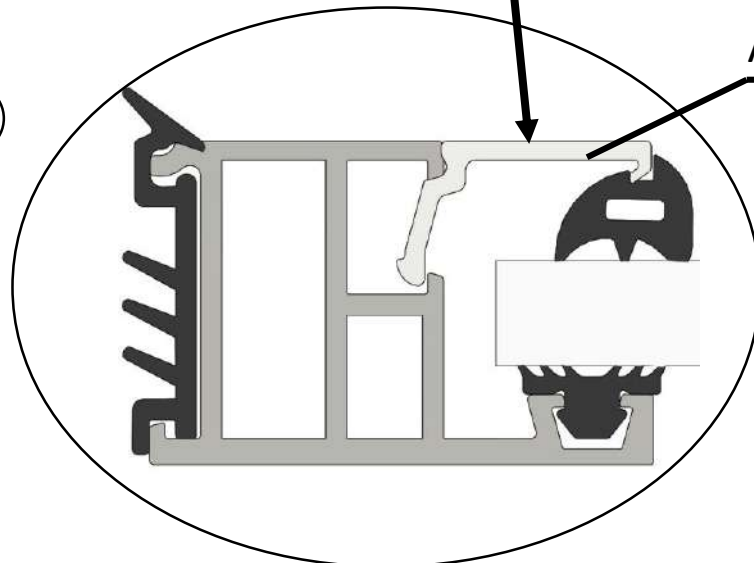
1



2



AL10013

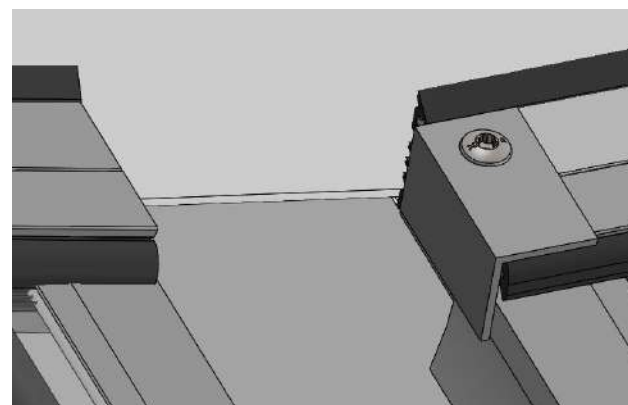
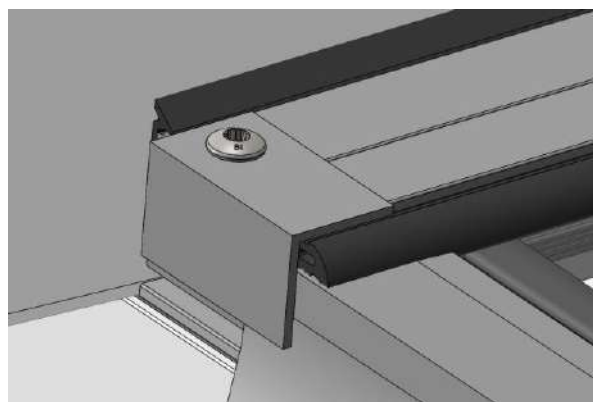
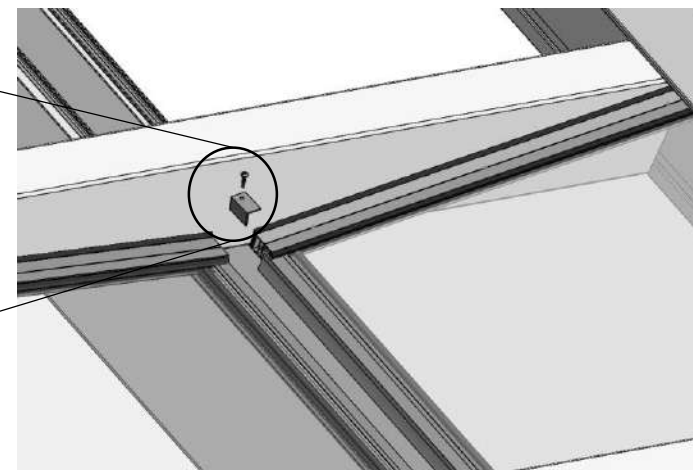
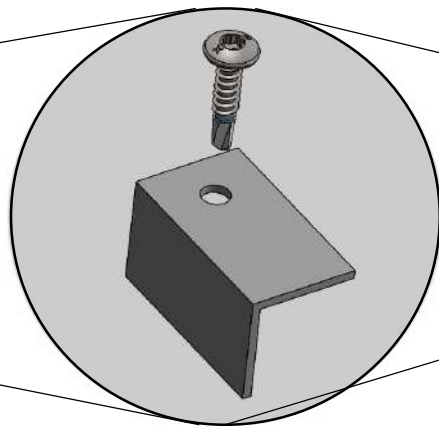
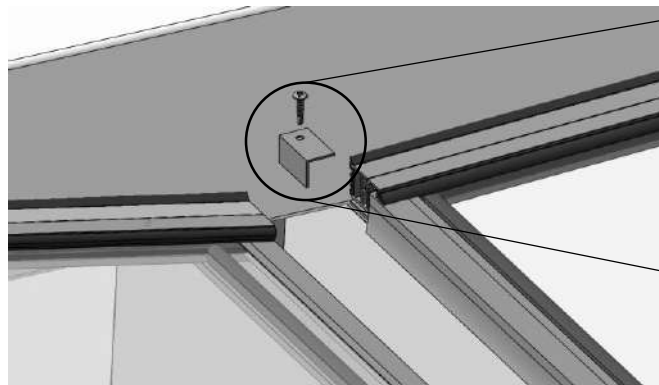


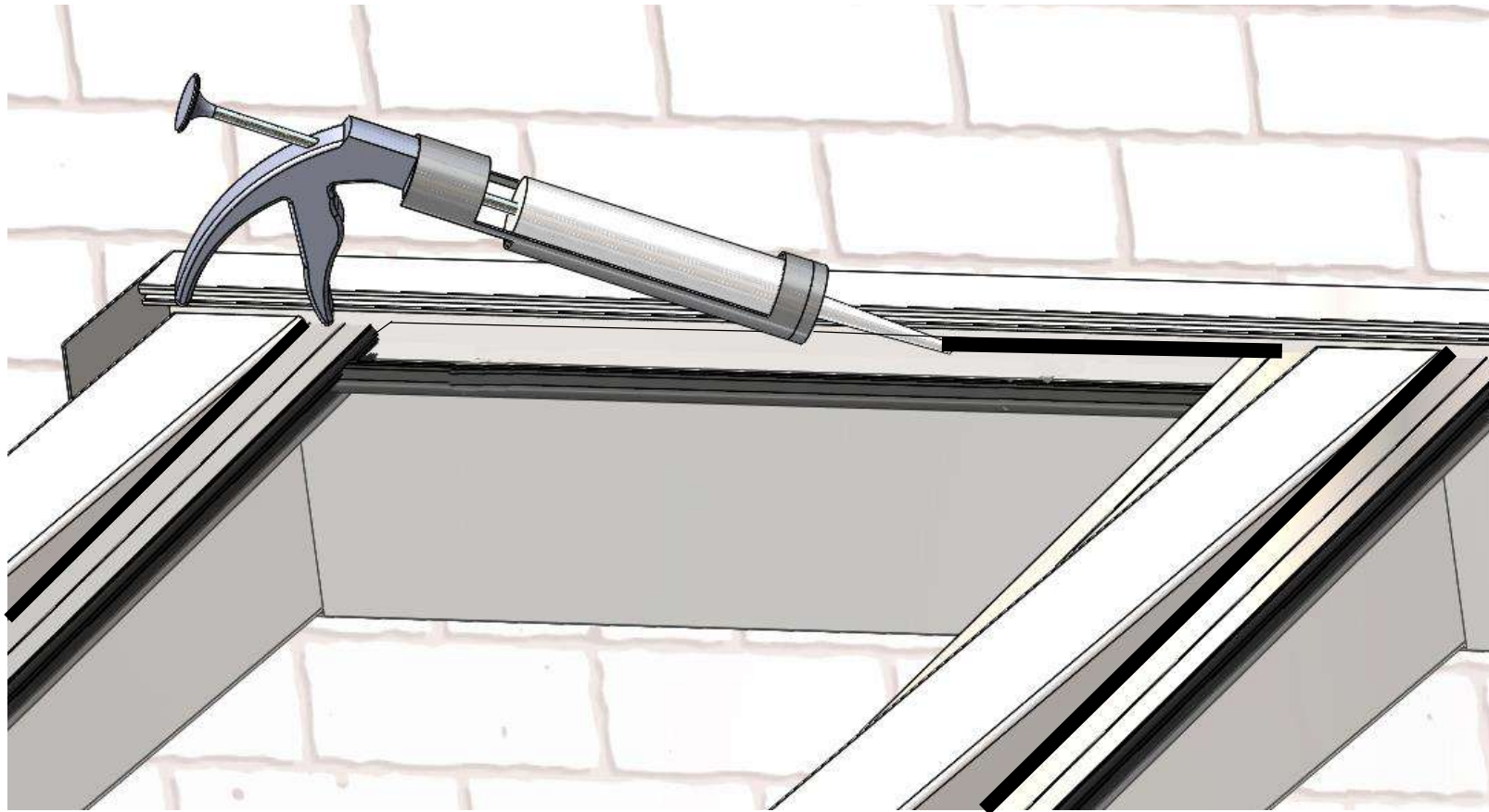
65

2 x

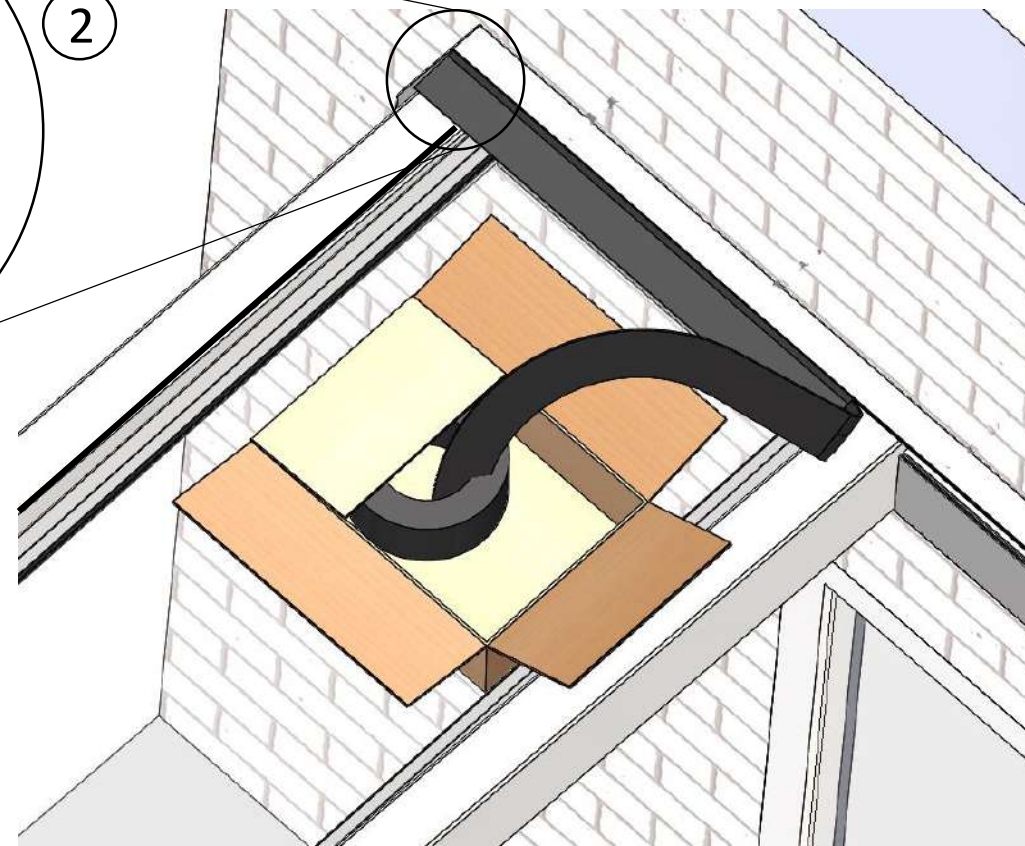
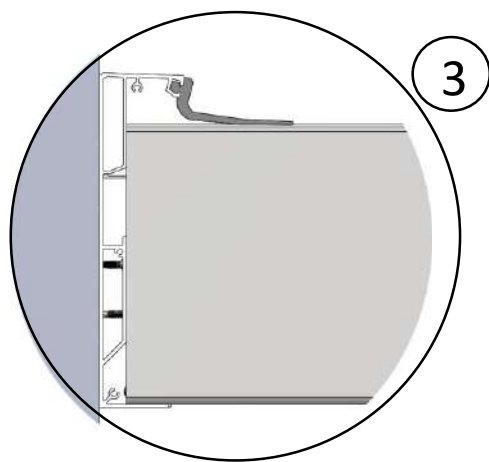
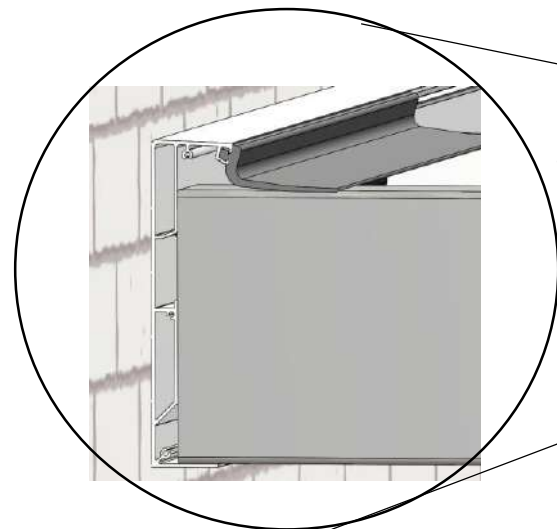
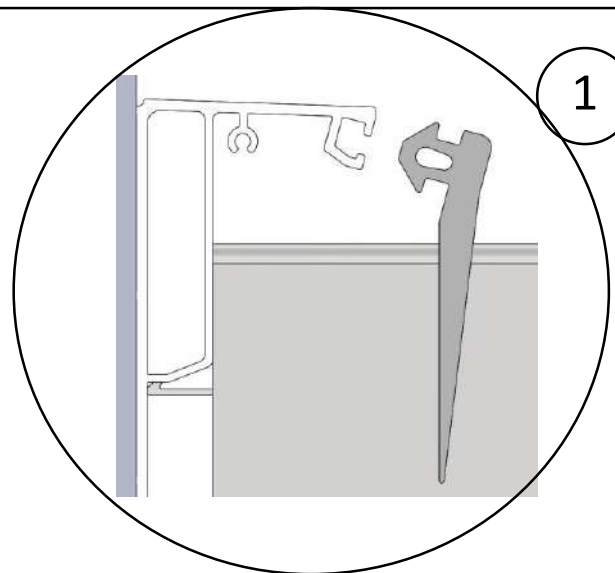


2 x

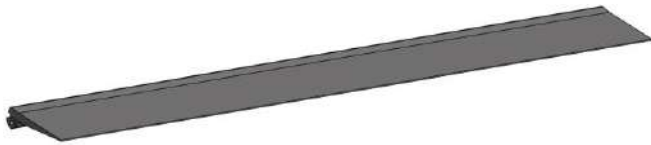




67



68

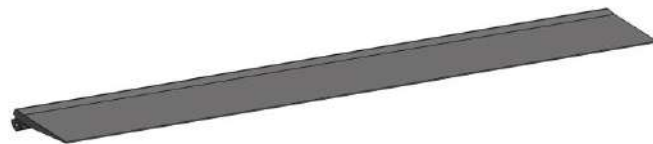


S11182

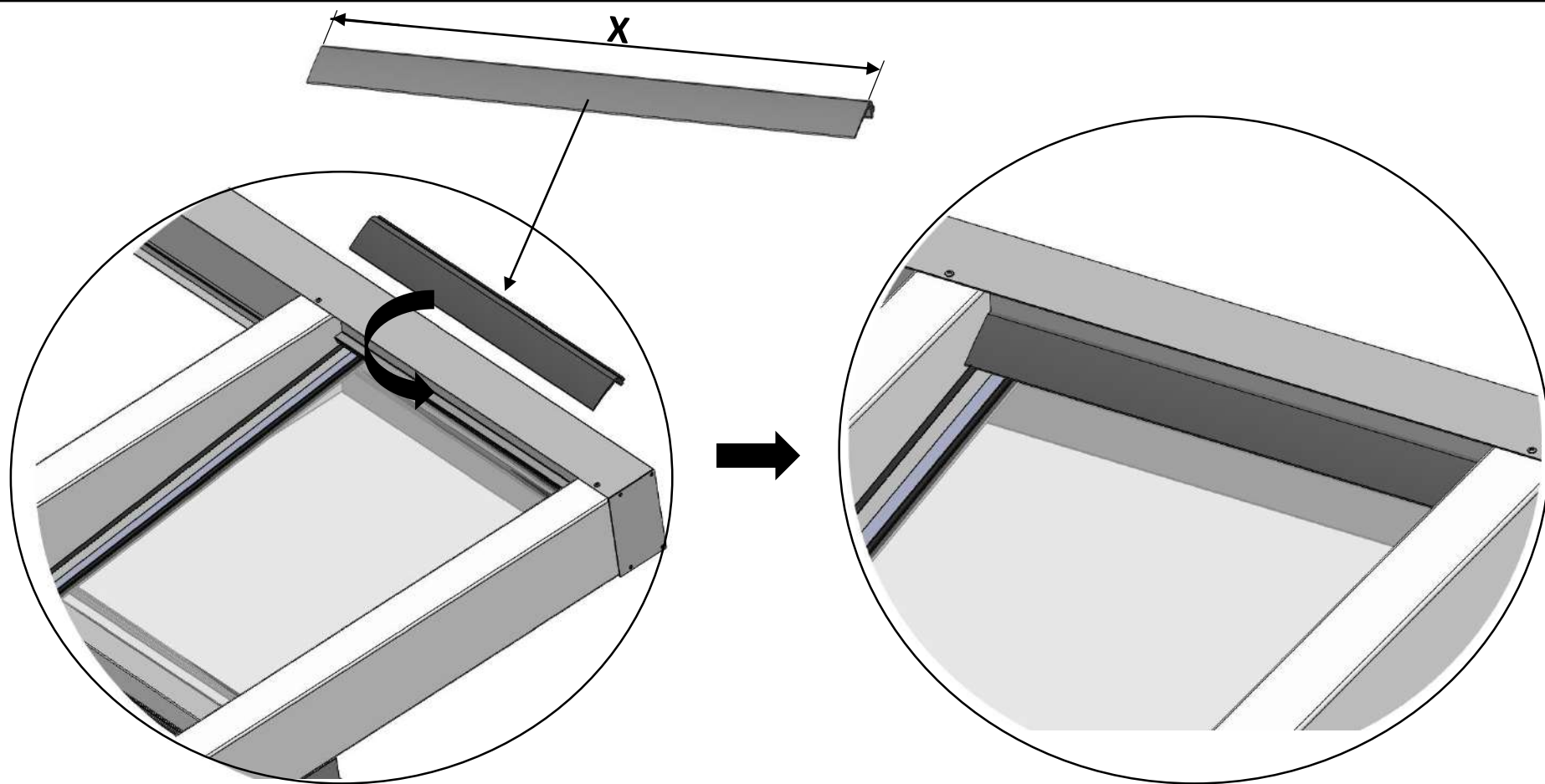


N x

69



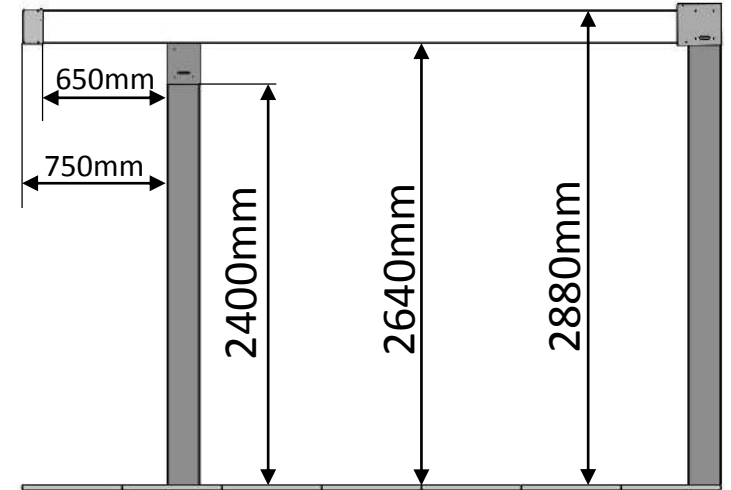
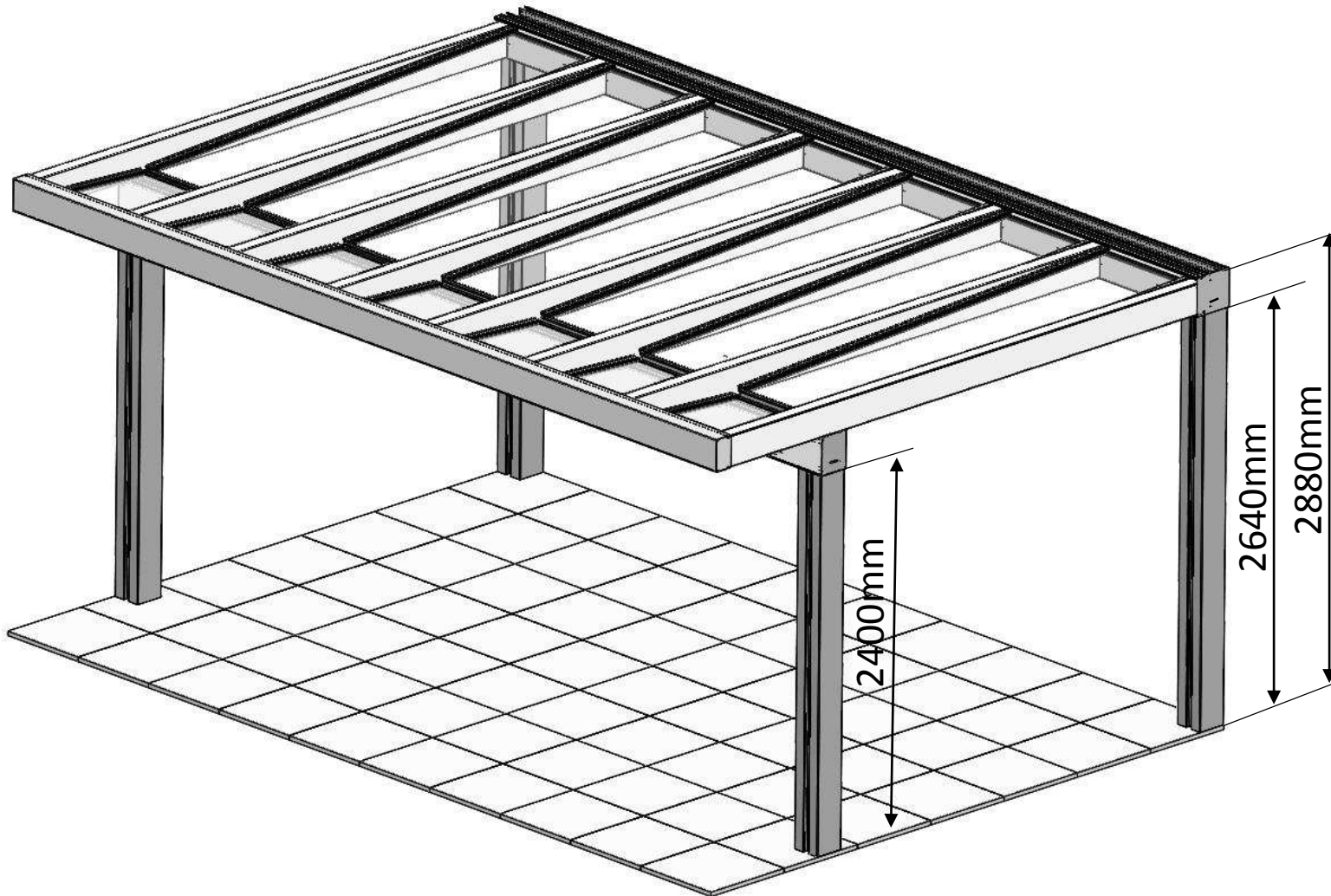
S11182



N x

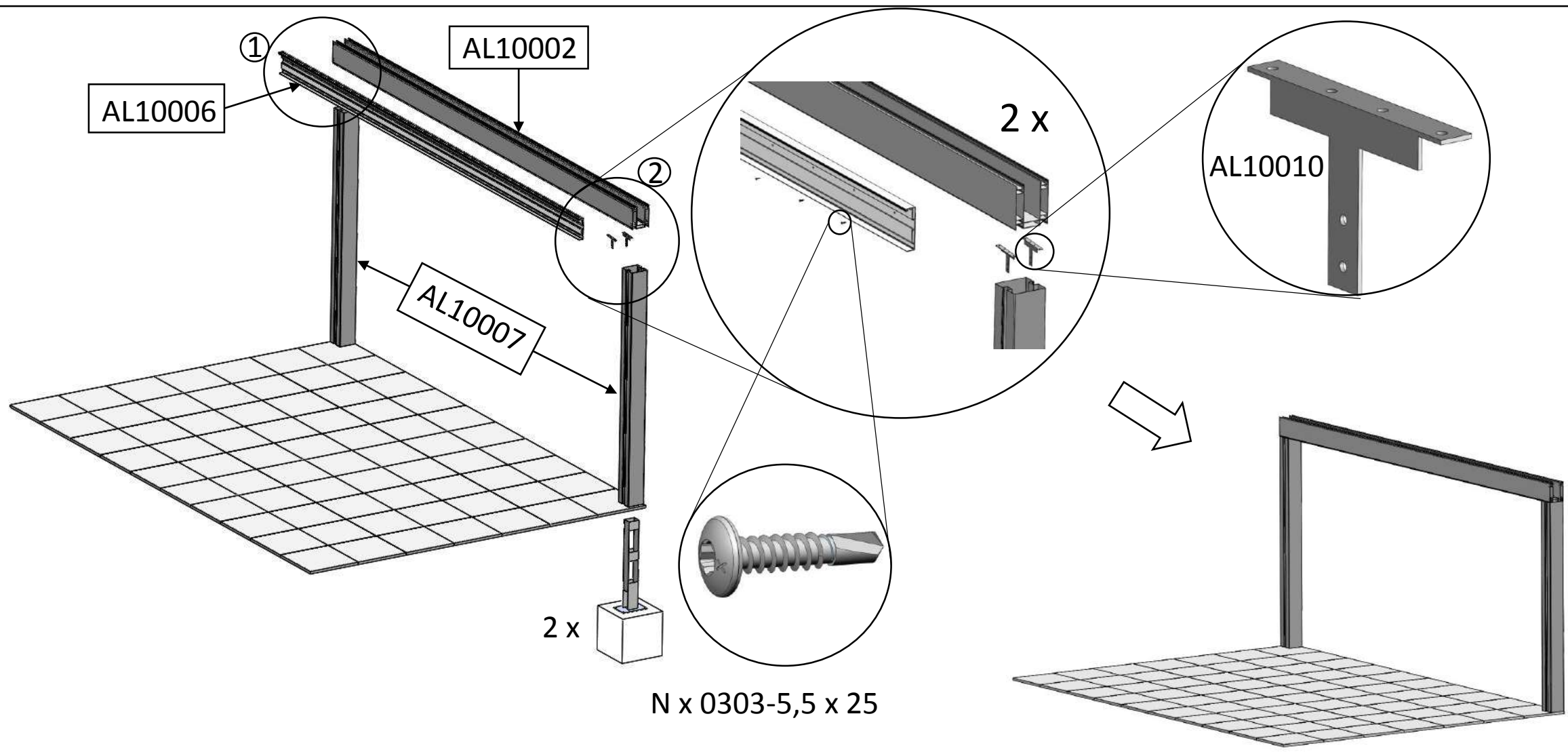
70

OPTION

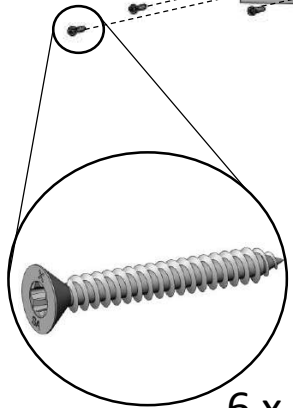
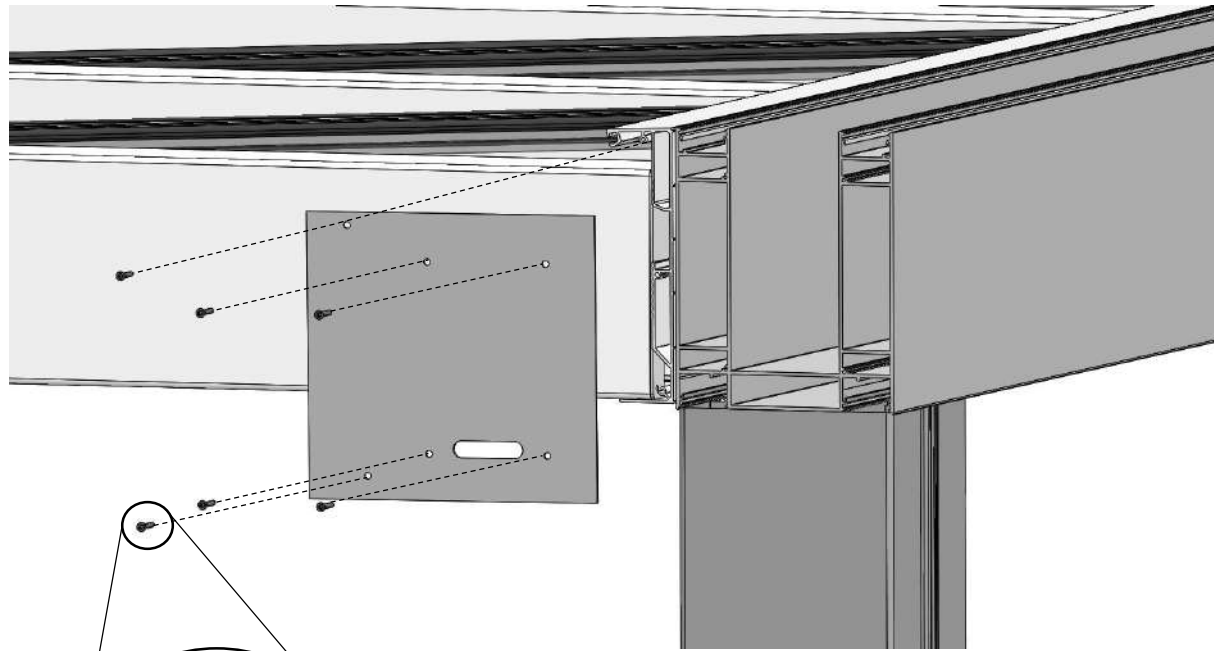


71

OPTION



72



6 x 0385-4,2 x32

